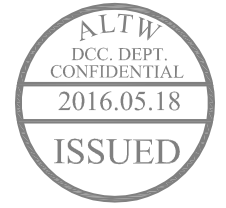
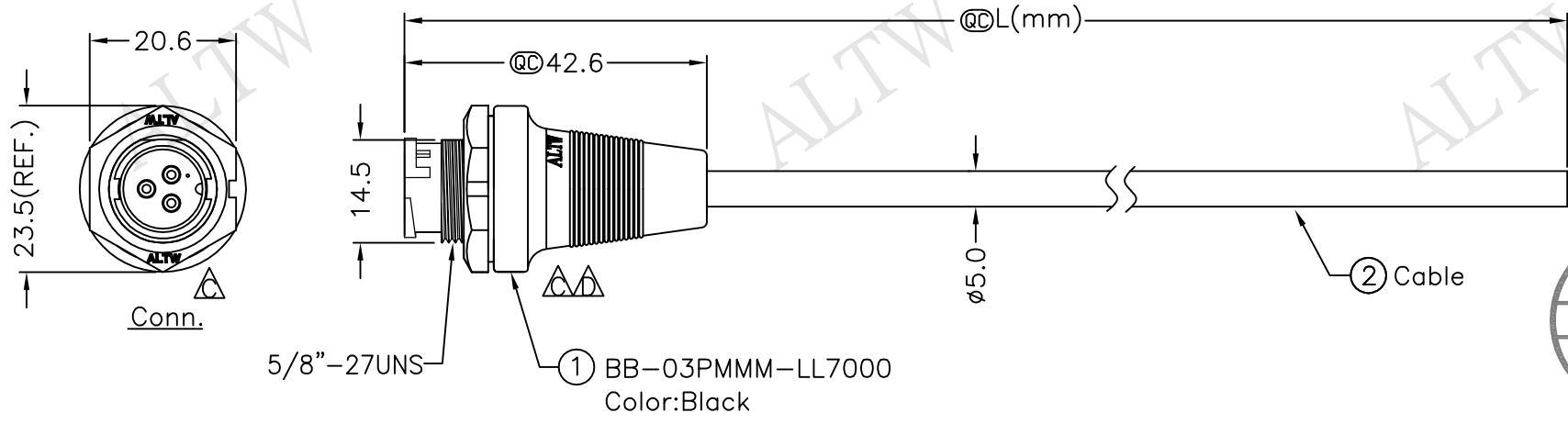


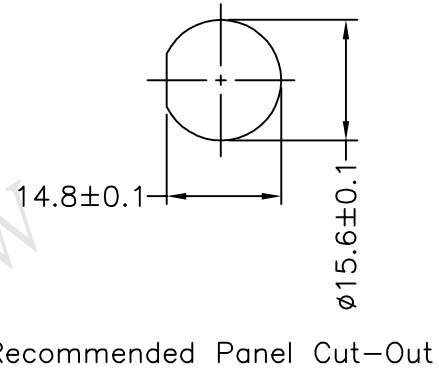
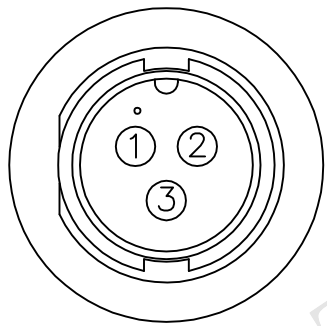
REV.	ECN NO.	DATE	SIGN	DESCRIPTION
B	LEN-8B0347~350	2008/09/10	Shin	Add Note
C	LEN1610200~203	2016/01/08	Ruru	Change Logo & Note
D	LEN1650314~317	2016/05/10	Ruru	Modify Logo Position



3	Yellow	黃
2	White	白
1	Black	黑
Conn.	Wire Color	
	Pin Out	

BB-03PMMM-LL7AXX  
 XX:01~99Meter  
 01:01Meter  
 02:02Meters  
 ...  
 99:99Meters  
 Cable Length(L):01~99Meters

- Note:
- \* @@Important Dimensions To Check.
  - \* Waterproof Rate: IP67
  - \* Housing: Black,Nylon+GF
  - \* Male Pin: Copper Alloy,Gold Plated
  - \* Nut: Black,Nylon+GF
  - \* Gasket: Black,EPDM
  - \* Cable: UL2464 20AWG\*3C+Drain+Al/My Black,UV Resistant,OD=5.0
  - △\* Use with waterproof cap or dust cap  
Panel Thickness Max: 2.5mm
  - △\* Use without waterproof cap or dust cap  
Panel Thickness Max: 3.5mm
  - △\* Cable Length Tolerance: 01M: ±40mm  
02M~05M: ±60mm  
06M~10M: ±100mm  
11M~30M: ±200mm  
31M~99M: ±500mm



UNIT:mm	
TOLERANCE	±0.5

TITLE Standard,Cable Lock 3Pin M Conn. M Pin	
SCALE Free	SHEET 1 OF 1
REV. D	SIZE A4
QC :Inspection Item	

**Amphenol LTW**  
 安費諾亮泰企業股份有限公司

ITEM NO	DRAWN BY Ruru	DATE 2016/05/10
DWG NO BB-03PMMM-LL7AXX	CHECKED BY Rita	DATE 2016/05/10
CUSTOMER ALTW	APPROVED BY Lisa	DATE 2016/05/10

THIS DOCUMENT IS SUBJECT TO CHANGE WITHOUT NOTICE. IT IS CONFIDENTIAL AND A PROPERTY OF Amphenol LTW. DISCLOSURE TO THIRD PARTY HAS TO BE AUTHORIZED BY Amphenol LTW.