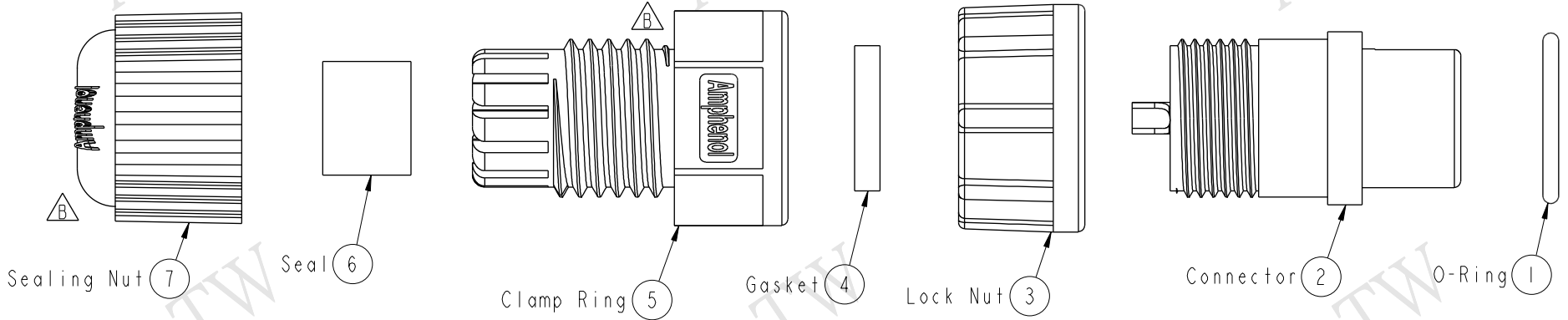


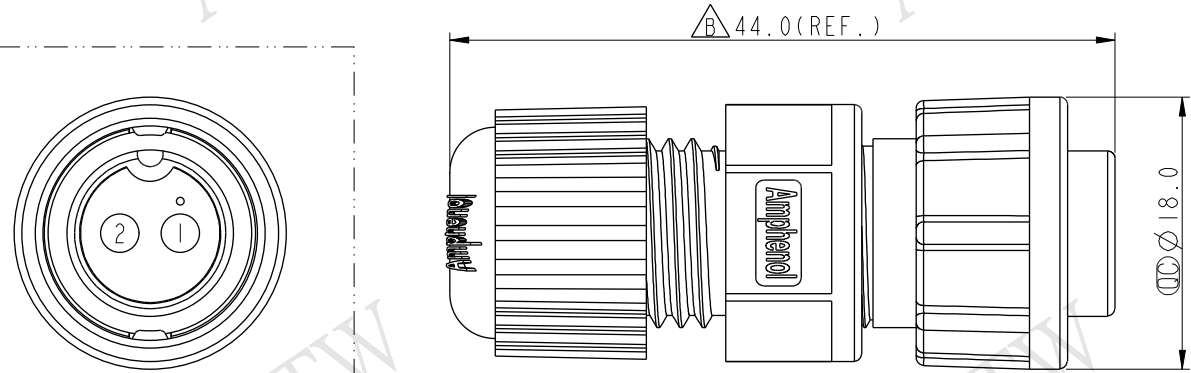
REV.	ECN NO.	DATE	SIGN	DESCRIPTION
B	LEN14B0098	2014/11/04	Vicky	Update Logo & Dimension

ALTW  
CONFIDENTIAL  
2014-11-04  
R&D DEPT.

ALTW  
DCC. DEPT.  
CONFIDENTIAL  
2014.11.11  
ISSUED



- Note:
- \*  $\text{⌀}$  Important Dimension.
  - \* Waterproof Rate: IP67
  - \* Housing: Nylon+GF, Black
  - \* Male Pin: Copper Alloy, Gold Plated
  - \* O-Ring: EPDM, Black
  - \* Lock Nut: Nylon+GF, Black
  - \* Gasket: EPDM, Black
  - \* Clamp Ring: Nylon, Black
  - \* Seal: EPDM, Black
  - \* Sealing Nut: Nylon, Black
  - \* Seal For Cable OD:  $\text{⌀}4.5\text{mm} \sim \text{⌀}6.5\text{mm}$   
(防水墊圈線徑:  $\text{⌀}4.5\text{mm} \sim \text{⌀}6.5\text{mm}$ )
  - \* One Set Unassembled In One PE Bag  
(每一組未組裝, 放置於一個PE袋, 並封口)



Pin Assignments  
Front View

UNIT:mm	$\text{⌀}$	$\text{⌀}$
TOLERANCE	$\pm 0.25$	$\pm 0.1$
.X	$\pm 0.1$	$\pm 0.05$
.XX	$\pm 0.05$	$\pm 1^\circ$
.XXX	$\pm 0.05$	
ANGLES	$\pm 1^\circ$	

TITLE Standard Assy Lock 2inP F Conn M Pin			
SCALE 2:1	SIZE A4	SHEET 1 OF 1	
REV. B	WC-REV. A.5	$\text{⌀}$ : Inspection item	

**Amphenol LTW**  
安費諾亮泰企業股份有限公司

ITEM NO. BB-02BFMA-LL7001	DRAWN BY Vicky	DATE 2014-11-04
DWG NO. BB-02BFMA-LL7001	CHECKED BY Sam	DATE 2014-11-04
CUSTOMER ALTW	APPROVED BY Rita	DATE 2014-11-04

THIS DOCUMENT IS SUBJECT TO CHANGE WITHOUT NOTICE. IT IS CONFIDENTIAL AND A PROPERTY OF Amphenol LTW. DISCLOSURE TO THIRD PARTY HAS TO BE AUTHORIZED BY Amphenol LTW.