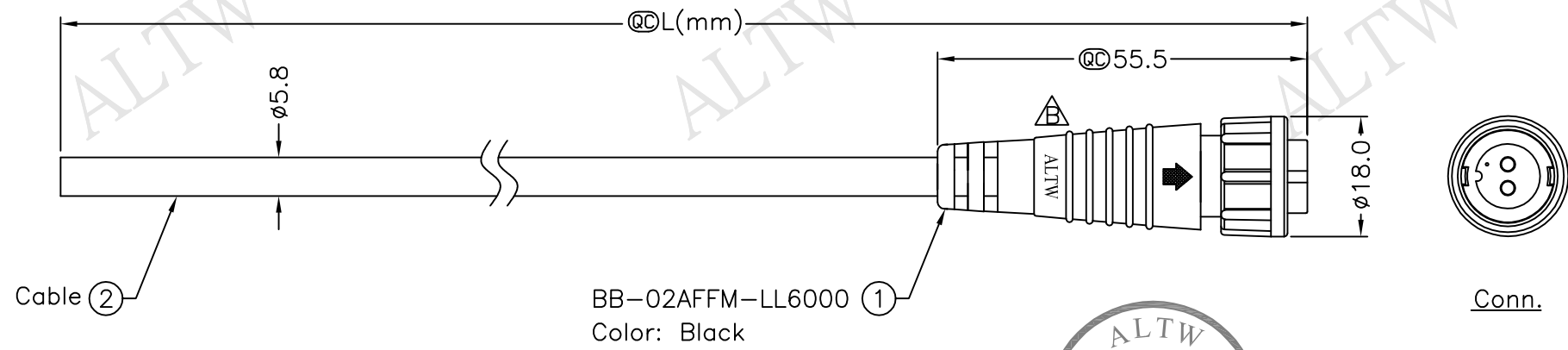


REV.	ECN NO.	DATE	SIGN	DESCRIPTION
B	LEN1660106~109	2016/05/26	Ruru	Change Logo & Note

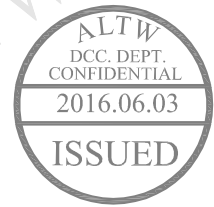


Cable ②

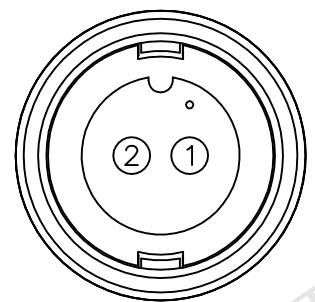
BB-02AFFM-LL6000 ①
Color: Black

Conn.

BB-02AFFM-LL6AXX
 XX:01~99Meter
 01:01Meter
 02:02Meters
 :
 :
 99:99Meters
 Cable Length(L):01~99Meters



- Note:
- * @C Important Dimension To Check.
 - * Waterproof Rate: IP66
 - * Housing: Black, Nylon+GF
 - * Pin: Copper Alloy, Gold Plated
 - * Cable: Black, UL2464 20AWG*2C+D+Al/My PVC Jacket (UV Resistant) OD=5.8
 - * Cable Length Tolerance: 01M: ±40mm
 02M~05M: ±60mm
 06M~10M: ±100mm
 11M~30M: ±200mm
 31M~99M: ±500mm



Pin Assignments
Front View

2	Red
1	Green
Conn.	Wire Color
Pin Out	

UNIT:mm		TITLE	Standard
TOLERANCE	±0.5 mm	Cable Lock 2Pin F Conn. F Pin	
SCALE	Free	SHEET	1 OF 1
REV.	B	SIZE	A4
④ :Inspection Item			

Amphenol LTW
安費諾亮泰企業股份有限公司

ITEM NO	BB-02AFFM-LL6AXX	DRAWN BY	Ruru	DATE	2016/05/26
DWG NO	BB-02AFFM-LL6AXX	CHECKED BY	Rita	DATE	2016/05/26
CUSTOMER	ALTW	APPROVED BY	Lisa	DATE	2016/05/26

THIS DOCUMENT IS SUBJECT TO CHANGE WITHOUT NOTICE. IT IS CONFIDENTIAL AND A PROPERTY OF Amphenol LTW. DISCLOSURE TO THIRD PARTY HAS TO BE AUTHORIZED BY Amphenol LTW.