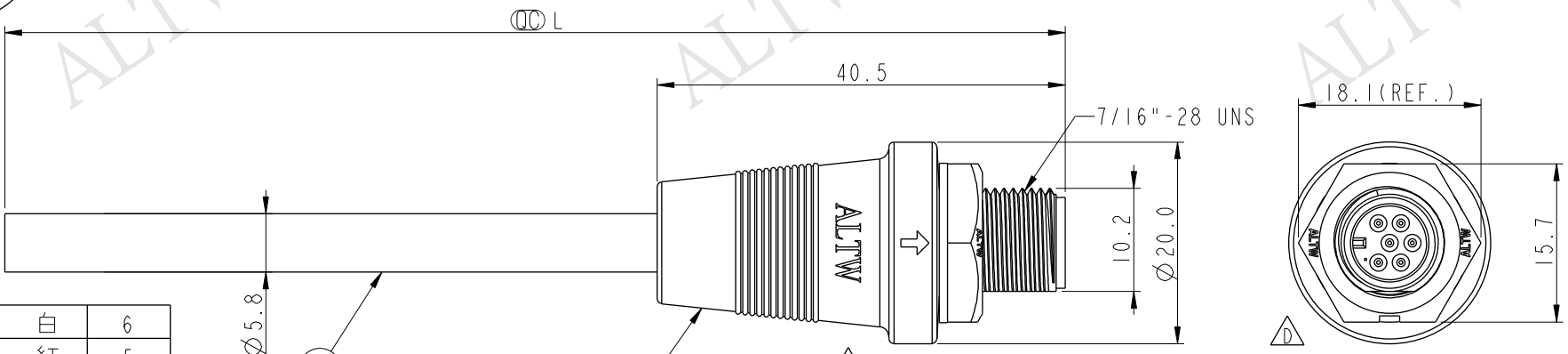


THIS DOCUMENT IS SUBJECT TO CHANGE WITHOUT NOTICE. IT IS CONFIDENTIAL AND A PROPERTY OF Amphenol LTW. DISCLOSURE TO THIRD PARTY HAS TO BE AUTHORIZED BY Amphenol LTW.

REV.	ECN NO.	DATE	SIGN	DESCRIPTION
B	LEN-8A0116~119	2008/09/10	Shin	Add Notes
C	LEN-910025~028	2009/01/05	Ivan Lin	Update panel thickness
D	LEN15B0248~51	2015/11/03	Ruru	Change Logo & Tolerance

**ALTW**  
**CONFIDENTIAL**  
 2015-11-03  
 R&D DEPT.



White	白	6
Red	紅	5
Orange	橙	4
Yellow	黃	3
Green	綠	2
Blue	藍	1
Wire Color	Conn.	
Out Pin		

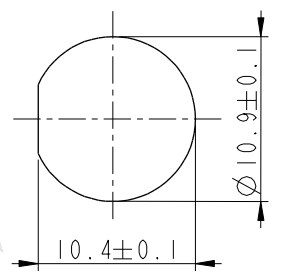
**ALTW**  
 DCC. DEPT.  
 CONFIDENTIAL  
 2015.11.19  
 ISSUED

AU-06PMMM-SL7000  
 Color: Black

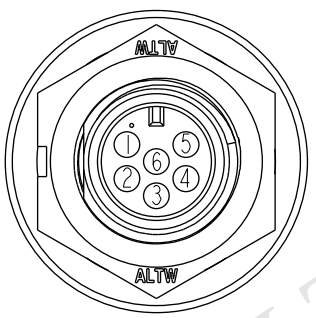
AU-06PMMM-SL7AXX

- XX : 01~99Meters
- 01 : 01Meter
- 02 : 02Meters
- :
- :
- 99 : 99Meters

Cable Length(L): 01~99Meters



Recommended Panel Cut-Out



Pin Assignments  
 Front View

Note:

- \*  $\text{Ⓞ}$  Important Dimension To Check.
- \* Waterproof Rate: IP67
- \* Housing: Nylon+GF, Black
- \* Pin: Copper Alloy, Gold Plated
- \* Cable: UL2464 26AWG\*6C+Drain+Al/My Black, PVC Jacket UV Resistant OD=5.0mm
- $\triangle A \triangle B$  \* Use with waterproof cap or dust cap  
 Panel Thickness Max: 2.5mm
- $\triangle C \triangle B$  \* Use without waterproof cap or dust cap  
 Panel Thickness Max: 3.5mm
- $\triangle C$  \* Cable Length Tolerance:
  - 01M: 40mm
  - 02M~05M: 60mm
  - 06M~10M: 100mm
  - 11M~30M: 200mm
  - 31M~99M: 500mm

UNIT:mm		
TOLERANCE	$\pm 0.5mm$	$\triangle D$

TITLE Mini Cable Screw 6P M Conn M Pin			
SCALE 1:1	SIZE A4	SHEET 1 OF 1	
REV. D	WC-REV. A.1	$\text{Ⓞ}$ : Inspection item	

**Amphenol LTW**  
 安費諾亮泰企業股份有限公司

ITEM NO AU-06PMMM-SL7AXX	DRAWN BY Ruru	DATE 2015-11-03
DWG NO AU-06PMMM-SL7AXX	CHECKED BY Rita	DATE 2015-11-03
CUSTOMER ALTW	APPROVED BY Lisa	DATE 2015-11-03