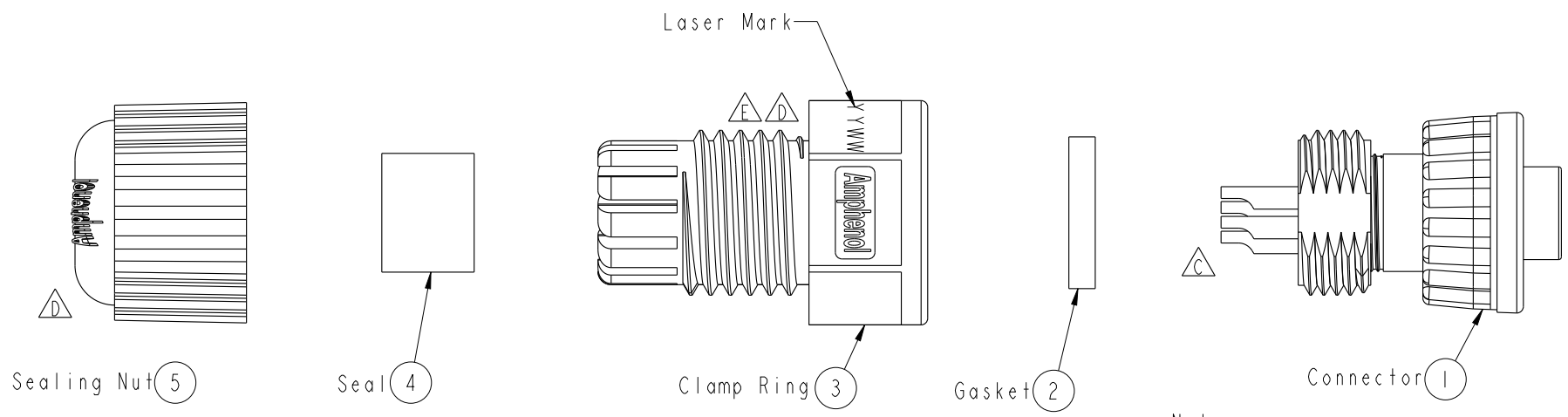
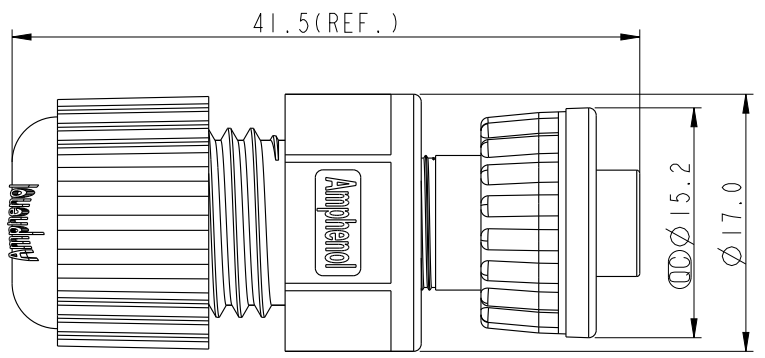
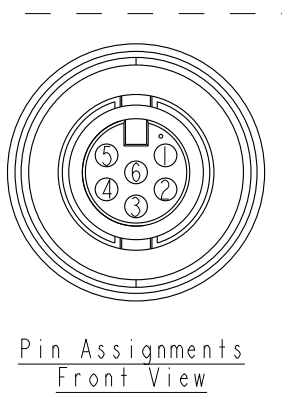


THIS DOCUMENT IS SUBJECT TO CHANGE WITHOUT NOTICE. IT IS CONFIDENTIAL AND A PROPERTY OF Amphenol LTW. DISCLOSURE TO THIRD PARTY HAS TO BE AUTHORIZED BY Amphenol LTW.

REV.	ECN NO.	DATE	SIGN	DESCRIPTION
C	LEN-0C0326	2010/11/25	Ivan Lin	Change View & Frame
D	LEN14B0094	2014/11/04	Vicky	Update Logo
E	C191957	2019/11/08	JC Chen	EX2



- Note:
- * (M) Important Dimension To Check.
 - * Waterproof Rate: IP67
 - * Housing: Nylon+GF, Black
 - * Female Pin: Copper Alloy, Gold Plated
 - * O-Ring: EPDM, Black
 - * Screw Nut: Nylon+GF, Black
 - * Gasket: EPDM, Black
 - * Clamp Ring: Nylon, Black
 - * Seal: EPDM, Black
 - * Sealing Nut: Nylon, Black
 - * Seal For Cable OD: $\varnothing 4.5\text{mm} \sim \varnothing 6.5\text{mm}$
(防水墊圈線徑: $\varnothing 4.5\text{mm} \sim \varnothing 6.5\text{mm}$)
 - * One Set Unassembled In One PE Bag
(每一組未組裝, 放置於一個PE袋, 並封口)
 - * Laser Mark: YYWW (年+周, 4碼)
字型Simplex; 字高2mm.



UNIT:mm		
TOLERANCE	.X	± 0.25
	.XX	± 0.1
	.XXX	± 0.05
ANGLES		$\pm 1^\circ$

TITLE Mini Assy Screw 6Pin F Conn F Pin			
SCALE 2:1	SIZE A4	SHEET 1 OF 1	
REV. E	WC-REV. A.3	(M): Inspection item	

Amphenol LTW
安費諾亮泰企業股份有限公司

ITEM NO AU-06BFFA-SL7001	DRAWN BY Vicky	DATE 2014-11-04
DWG NO AU-06BFFA-SL7001	CHECKED BY Sam	DATE 2014-11-04
CUSTOMER ALTW	APPROVED BY Rita	DATE 2014-11-04