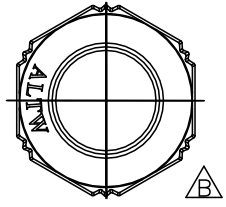
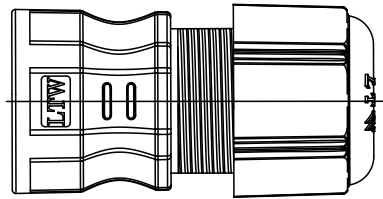
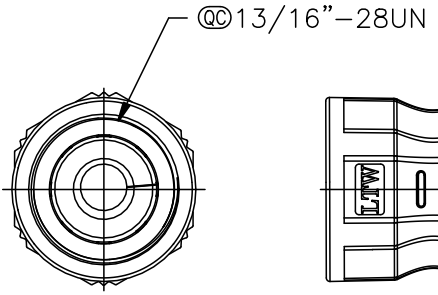
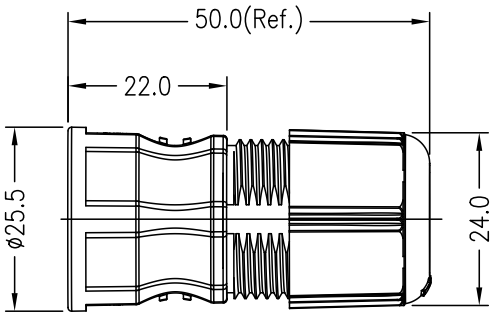
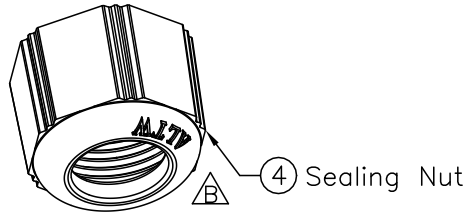
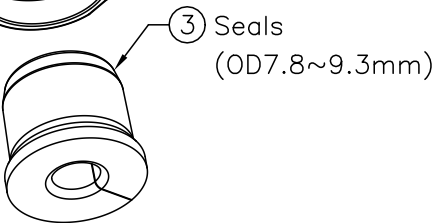
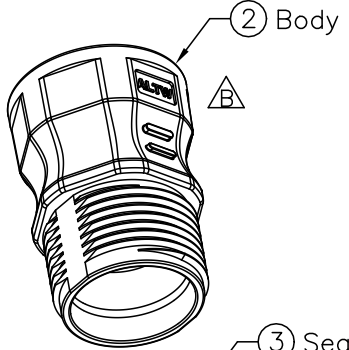
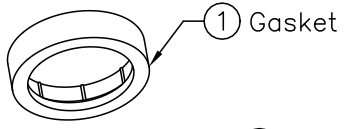


REV.	ECN NO.	DATE	SIGN	DESCRIPTION
B	C180633	2019/01/04	Jeff	Change Logo
C	C201021	2020/07/09	Wesley Lin	△C *1
D	C202019	2020/12/21	Wesley Lin	△D *1

THIS DOCUMENT IS SUBJECT TO CHANGE WITHOUT NOTICE. IT IS CONFIDENTIAL AND A PROPERTY OF Amphenol LTW. DISCLOSURE TO THIRD PARTY HAS TO BE AUTHORIZED BY Amphenol LTW.



- △△C Note:
- * @C Important Dimension.
 - * Waterproof Rate:IP67.
 - * Cable OD:φ7.8~φ9.3mm.
 - * Gasket:Silicone,Gray.
 - * Seals:Silicone,Gray.
 - * Body & Sealing Nut:ZDC-3,Silver.
 - * ④零件只需鎖 2~3 牙

UNIT:mm		TITLE	13/16"-28UN Ass'y Metal (After Plug In)OD 7.8~9.3mm		Amphenol LTW	ITEM NO	CSG-CSP005	DRAWN BY	Jeff	DATE	2018/12/28
TOLERANCE	±0.5mm	SCALE	Free	SHEET	1 OF 1	DWG NO	CSG-CSP005	CHECKED BY	Neo	DATE	2018/12/28
REV.	D	SIZE	A4	@C :Inspection Item		CUSTOMER	ALTW	APPROVED BY	Max	DATE	2018/12/28
1	2	3	4	5	6	7	8	WIOB14-03-表號01A2			