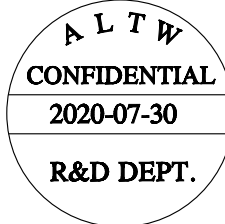
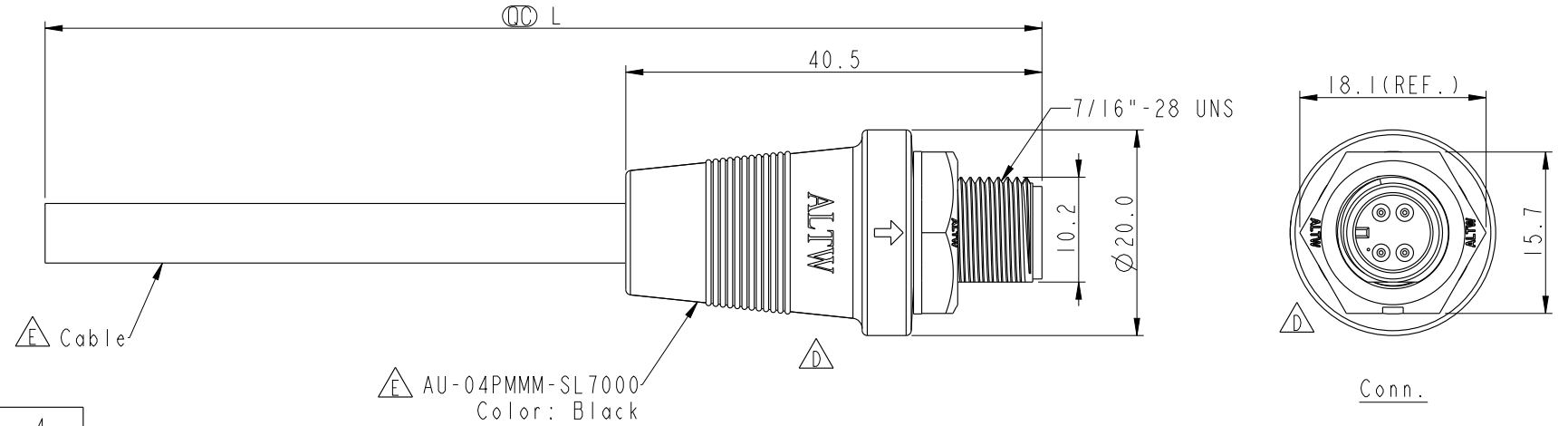


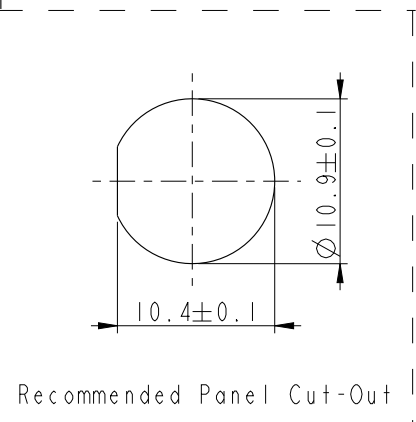
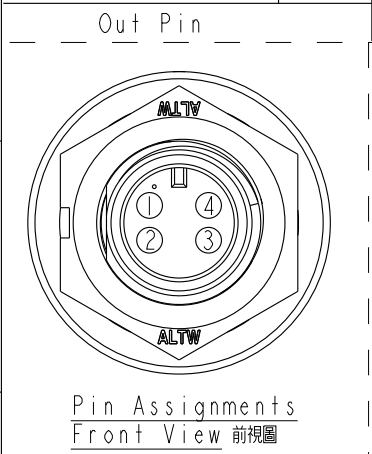
THIS DOCUMENT IS SUBJECT TO CHANGE WITHOUT NOTICE. IT IS CONFIDENTIAL AND A PROPERTY OF Amphenol LTW. DISCLOSURE TO THIRD PARTY HAS TO BE AUTHORIZED BY Amphenol LTW.



REV.	ECN NO.	DATE	SIGN	DESCRIPTION
C	LEN-910017~020	2009/01/05	Ivan Lin	Update panel thickness
D	LEN15B0243~46	2015/11/03	Ruru	Change Logo
E	C201125	2020-07-30	Fu	△E*5



Yellow	黃	4
Red	紅	3
Green	綠	2
White	白	1
Wire Color	Conn.	



AU-04PMMM-SL7AXX
 XX: 01~99Meters
 01: 01Meter
 02: 02Meters
 ...
 99: 99Meters
 Cable Length(L): 01~99Meters

- △E Note:
- * (CC) Important Dimension To Check.
 - * Waterproof Rate: IP67(Mated)
 - * Housing: Thermoplastic, Black
 - * Pin: Copper Alloy, Gold Plated
 - * Cable: UL2464 24AWG*4C+Drain+Al/My Black, PVC Jacket UV Resistant OD=5.8mm
 - △C△B* Use with waterproof cap or dust cap
Panel Thickness Max: 2.5mm
 - △C△B* Use without waterproof cap or dust cap
Panel Thickness Max: 3.5mm
 - △C* Cable Length Tolerance: 01M:±40mm
02M~05M:±60mm
06M~10M:±100mm
11M~30M:±200mm
31M~99M:±500mm

UNIT:mm	
TOLERANCE	
.X	±0.25
.XX	±0.1
.XXX	±0.05
ANGLES	±1°

TITLE CERES, A-2A, 04P, FRONT FASTENED M, M, MOLDING, SCREW			
SCALE 1:1	SIZE A4	SHEET 1 OF 1	
REV. E	WC-REV. A.2	CC: Inspection item	

Amphenol LTW
 安費諾亮泰企業股份有限公司

ITEM NO	DRAWN BY Ruru	DATE 2015-11-03
DWG NO AU-04PMMM-SL7AXX	CHECKED BY Rita	DATE 2015-11-03
CUSTOMER ALTW	APPROVED BY Lisa	DATE 2015-11-03