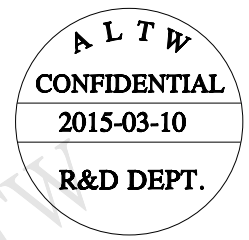
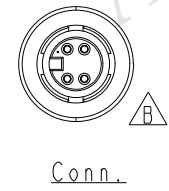
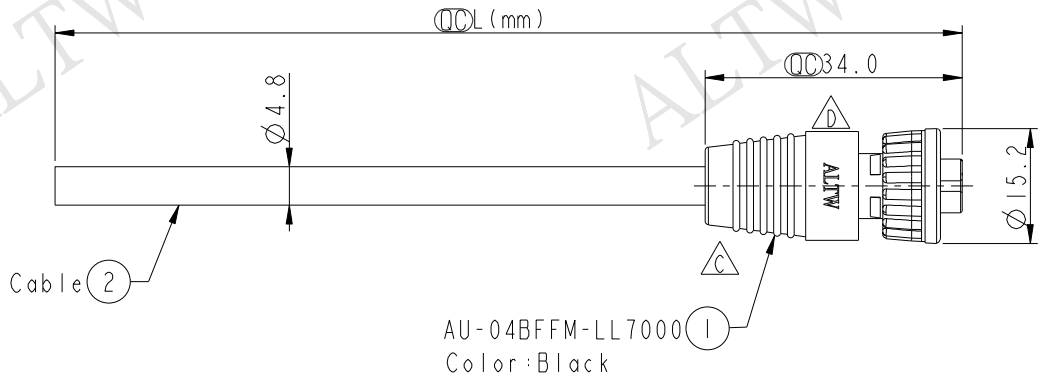


REV.	ECN NO.	DATE	SIGN	DESCRIPTION
B	LEN-0C0265-269	2010/11/25	Ivan Lin	Change View & Frame
C	LEN1110462-467	2011/01/13	Vicky	Mini Size Molding 外觀變更
D	LEN1540231-36	2015/03/10	Jinhai	Change Logo



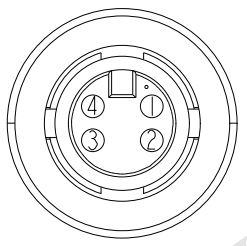
AU-04BFFM-LL7A~~XX~~

- XX : 01~99Meters
- 01 : 01Meter
- 02 : 02Meters
- ...
- 99 : 99Meters

Cable Length(L): 01~99Meters

Note:

- * \varnothing Important Dimension.
- * Waterproof Rate: IP67
- * Connector: Nylon+GF, Black.
- * Female Pin: Copper Alloy, Gold Plated
- * Lock Nut: Nylon+GF, Black.
- * O-Ring: EPDM, Black.
- * Cable: UL2464 26AWG*4C+D+A, Black, PVC Jacket, UV Resistant, OD=4.8mm.
- * Cable Length Tolerance:
 - 02M~05M: ±60mm
 - 06M~10M: ±100mm
 - 11M~30M: ±200mm
 - 31M~99M: ±500mm



Pin Assignments Front View

4	White	白
3	Green	綠
2	Red	紅
1	Brown	棕
Conn.	Wire Color	
	Pin Out	

UNIT:mm TOLERANCE ±0.5mm	TITLE Mini,Cable Lock 4P F Conn F Pin			ITEM NO AU-04BFFM-LL7AXX		DRAWN BY Jinhai	DATE 2015-03-10
	SCALE 1:1	SIZE A4	SHEET 1	OF 1	DWG NO AU-04BFFM-LL7AXX	CHECKED BY Tom	DATE 2015-03-10
	REV. D	WC-REV. A.1	\varnothing : Inspection item		CUSTOMER ALTW	APPROVED BY Jerry	DATE 2015-03-10
Amphenol LTW 安費諾亮泰企業股份有限公司				FMM10702-01-02A1			

THIS DOCUMENT IS SUBJECT TO CHANGE WITHOUT NOTICE. IT IS CONFIDENTIAL AND A PROPERTY OF Amphenol LTW. DISCLOSURE TO THIRD PARTY HAS TO BE AUTHORIZED BY Amphenol LTW.