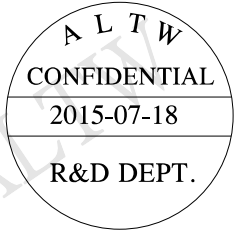
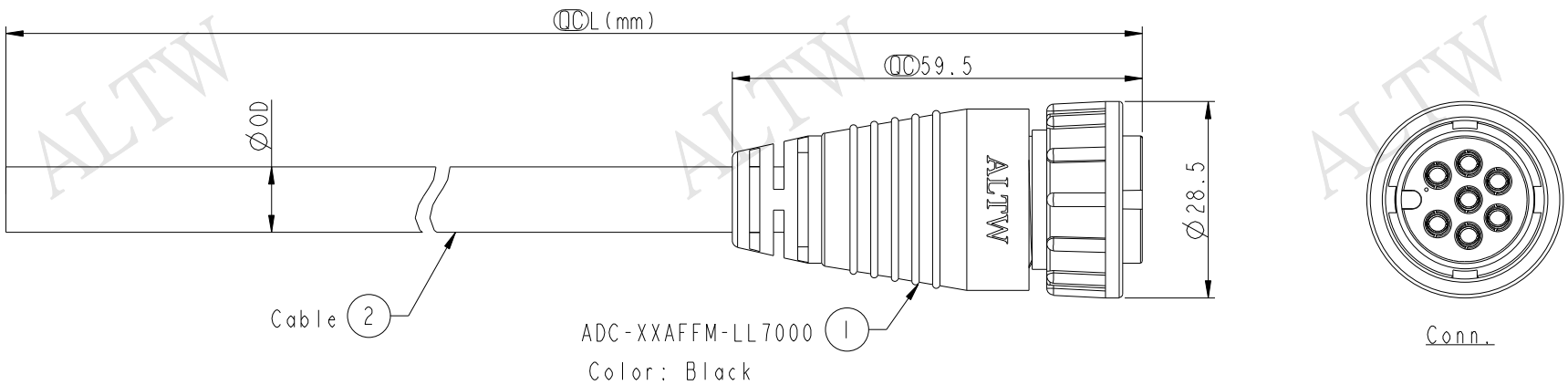


1	2	3	4	5	6	7	8
REV.	ECN NO.	DATE	SIGN	DESCRIPTION			



ADC-XXAFFM-LL7AXX  
 02: 2Pin  
 :  
 :  
 07: 7Pin

XX : 01~99Meters  
 01 : 01Meter  
 02 : 02Meters  
 :  
 :  
 99 : 99Meters

Cable Length(L): 01~99Meters

Note:  
 \*  $\phi$  Important Dimension To Check.  
 \* Waterproof Rate: IP67  
 \* Housing: Nylon+GF, Black.  
 \* Female Pin: Copper Alloy, Gold Plated.  
 \* Cable: UL2464 16AWG+D+AL/My  
 PVC Jacket UV Resistant, Black.  
 \* Cable Length Tolerance: 01M: 40mm  
 02M~05M:  $\pm 60$ mm  
 06M~10M:  $\pm 100$ mm  
 11M~30M:  $\pm 200$ mm  
 31M~99M:  $\pm 500$ mm

7P	PVC	9.5	16	ADC-07AFFM-LL7AXX
6P		9.5		ADC-06AFFM-LL7AXX
5P		7.8		ADC-05AFFM-LL7AXX
4P		7.5		ADC-04AFFM-LL7AXX
3P		7.5		ADC-03AFFM-LL7AXX
2P		5.8		ADC-02AFFM-LL7AXX
Contacts	Cable Jacket	Cable OD	AWG	Item No.

UNIT: mm		TITLE LARGE CABLE LOCK F CONN F PIN		
TOLERANCE $\pm 0.5$	SCALE 1:1	SIZE A4	SHEET 1 OF 2	
REV. A	WC-REV. A.1	$\phi$ : Inspection item		

**Amphenol LTW**  
 安費諾亮泰企業股份有限公司

ITEM NO.	DRAWN BY Jinhai	DATE 2015-07-18
DWG NO. ADC-XXAFFM-LL7AXX	CHECKED BY Rensong	DATE 2015-07-18
CUSTOMER ALTW	APPROVED BY Jerry	DATE 2015-07-18

THIS DOCUMENT IS SUBJECT TO CHANGE WITHOUT NOTICE. IT IS CONFIDENTIAL AND A PROPERTY OF Amphenol LTW. DISCLOSURE TO THIRD PARTY HAS TO BE AUTHORIZED BY Amphenol LTW.

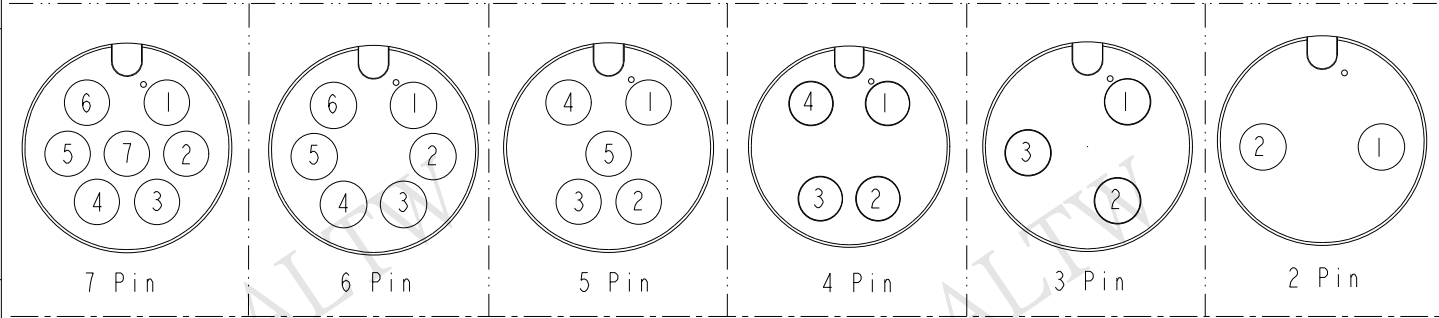
THIS DOCUMENT IS SUBJECT TO CHANGE WITHOUT NOTICE. IT IS CONFIDENTIAL AND A PROPERTY OF Amphenol LTW. DISCLOSURE TO THIRD PARTY HAS TO BE AUTHORIZED BY Amphenol LTW.

REV.	ECN NO.	DATE	SIGN	DESCRIPTION

**ALTW**  
**CONFIDENTIAL**  
 2015-07-18  
 R&D DEPT.

7 Red 紅	6 Gray 灰	5 White 白	4 Orange 橙	3 Black 黑	2 Black 黑
6 Gray 灰	5 Yellow 黃	4 Brown 棕	3 Red 紅	2 Blue 藍	1 Red 紅
5 Yellow 黃	4 Green 綠	3 Blue 藍	2 Brown 棕	1 Brown 棕	
4 Green 綠	3 White 白	2 Black 黑	1 Black 黑		
3 White 白	2 Blue 藍	1 Red 紅			
2 Blue 藍	1 Brown 棕				
1 Brown 棕					
Pin # Wire	Pin # Wire	Pin # Wire	Pin # Wire	Pin # Wire	Pin # Wire

Pin Out



Pin Assignments Front View

UNIT: mm TOLERANCE .X ±0.25 .XX ±0.1 .XXX ±0.05 ANGLES ±1°		TITLE <b>LARGE CABLE LOCK F CONN F PIN</b>		<b>Amphenol LTW</b> <b>安費諾亮泰企業股份有限公司</b>	ITEM NO.	DRAWN BY	DATE
		SCALE 1:1	SIZE A4		SHEET 2 OF 2	DWG NO. ADC-XXAFFM-LL7AXX	CHECKED BY Rensong
REV. A	WC-REV. A.1	QC: Inspection item		CUSTOMER ALTW	APPROVED BY Jerry	DATE 2015-07-18	8 FNN10702-01-02A1