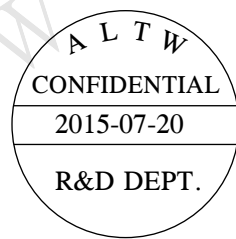
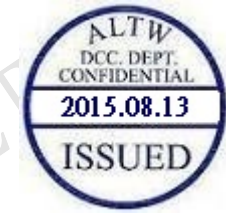
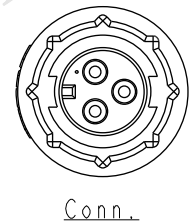
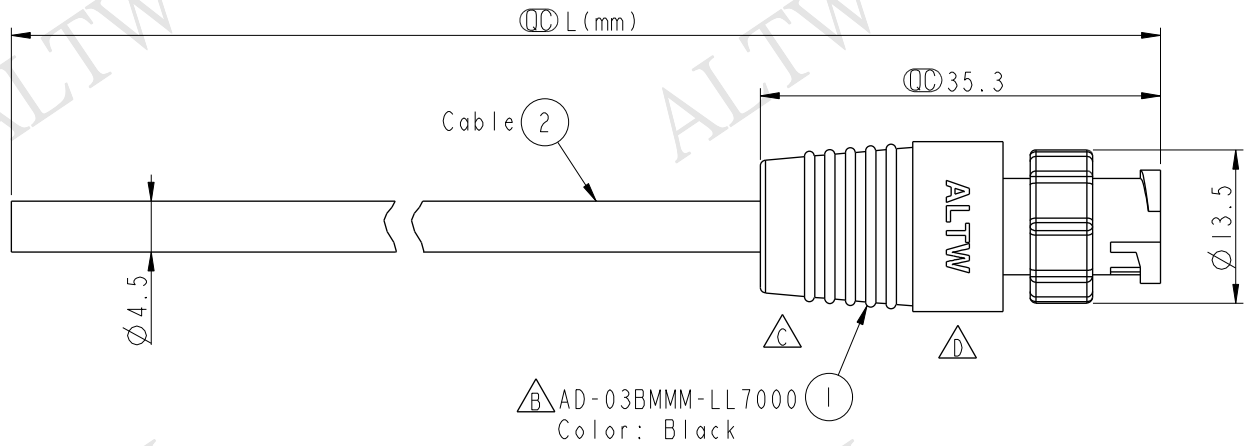


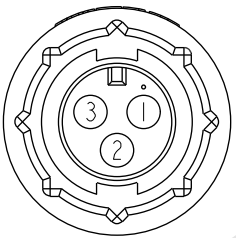
THIS DOCUMENT IS SUBJECT TO CHANGE WITHOUT NOTICE. IT IS CONFIDENTIAL AND A PROPERTY OF AMPHENOL LTW. DISCLOSURE TO THIRD PARTY HAS TO BE AUTHORIZED BY AMPHENOL LTW.

REV.	ECN NO.	DATE	SIGN	DESCRIPTION
B	LEN-040134	2010/04/14	Rex	Conn. Change
C	LEN110653-656	2011/01/20	Vicky	Mini Size Molding 外觀變更
D	LEN1580061-064	2015/07/20	Vicky	Update Logo



AD-03BMMM-LL7AXX
 XX: 01~99Meters
 01: 01Meter
 02: 02Meters
 ...
 99: 99Meters
 Cable Length(L): 01~99Meters

- Note:
- * \varnothing Important Dimension
 - * Waterproof Rate: IP67
 - * Connector: Nylon+GF, Black
 - * Male Pin: Copper Alloy, Gold Plated
 - * Cable: UL2464 24AWG*3C+D+A, Black, PVC Jacket, UV Resistant, OD=4.5mm
 - * Cable Length Tolerance: 01M: ±40mm
 02M~05M: ±100mm
 06M~10M: ±100mm
 11M~30M: ±200mm
 31M~99M: ±500mm



Pin Assignments
Front View

3	Black	黑
2	Blue	藍
1	Brown	棕
Conn.	Wire Color	
	Pin Out	

UNIT:mm		TOLERANCE		TITLE		ITEM NO		DRAWN BY		DATE	
±0.5 mm				Mini, Cable Lock 3P M Conn M Pin		AD-03BMMM-LL7AXX		Vicky		2015-07-20	
				SCALE 3:2		DWG NO		CHECKED BY		DATE	
				SIZE A4		AD-03BMMM-LL7AXX		Rita		2015-07-20	
				SHEET 1 OF 1		CUSTOMER		APPROVED BY		DATE	
				REV. D		ALTW		Lion		2015-07-20	
				WC-REV. A.1							
				\varnothing : Inspection item							

Amphenol LTW
 安費諾亮泰企業股份有限公司