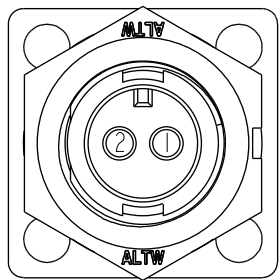
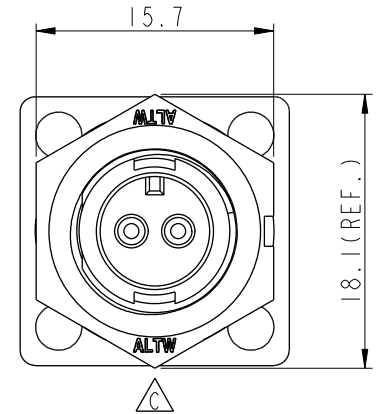
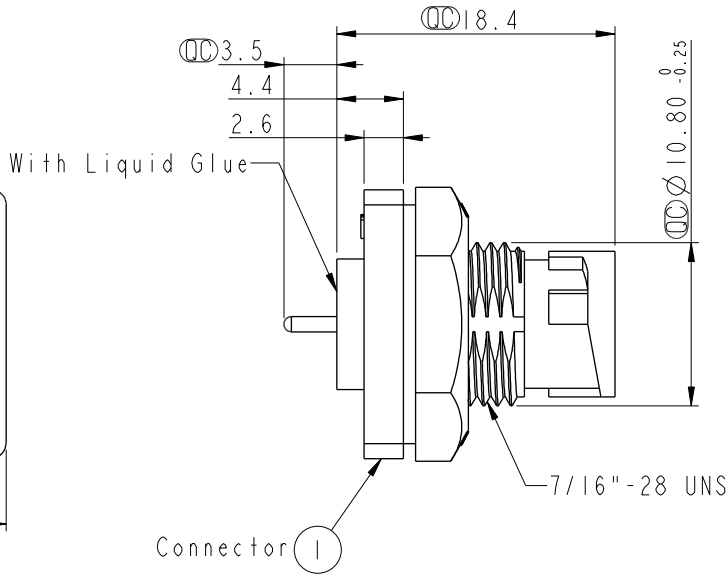
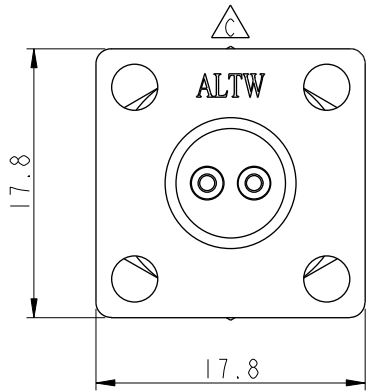
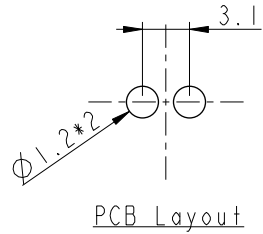
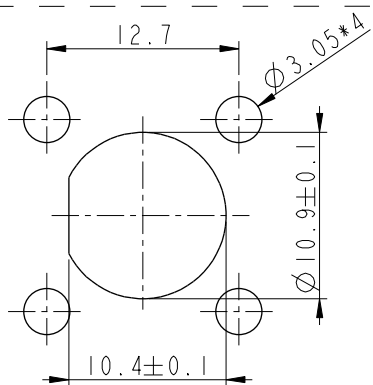


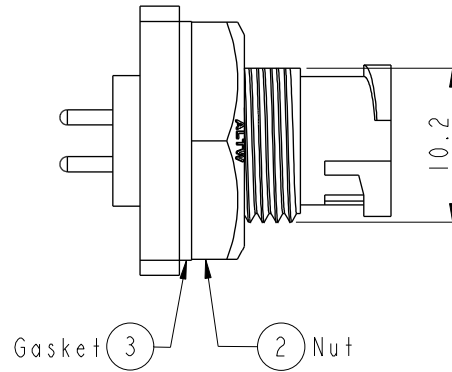
REV.	ECN NO.	DATE	SIGN	DESCRIPTION
B	LEN-8A0127	2008/09/15	Shin	Add Notes
C	LEN1640059	2016/03/30	Vicky	Update Logo
D	CI90268	2019/02/18	Ruru	Modify Note



Pin Assignments  
Front View



Recommended Panel Cut-Out



- Note:
- \* Important Dimension.
  - \* Waterproof Rate: IP67, Unmated
  - \* Housing: Thermoplastic, Black
  - \* Pin: Copper Alloy, Gold Plated
  - \* Nut: Thermoplastic, Black
  - \* Gasket: Rubber, Black
  - \* Use with waterproof cap or dust cap  
Panel thickness max: 4.0mm
  - \* Use without waterproof cap or dust cap  
Panel thickness max: 5.0mm
  - \* Gasket and Nut are packed separately in PE bags.

UNIT: mm		
TOLERANCE		
.X	±0.25	
.XX	±0.1	
.XXX	±0.05	
ANGLES	±1°	

TITLE			
Mini Panel Lock 2Pin M Conn. M Pin			
SCALE	SIZE	SHEET	OF
2:1	A4	1	1
REV.	WC-REV.	Inspection item	
D	A.4		

**Amphenol LTW**  
安費諾亮泰企業股份有限公司

ITEM NO.	AD-02PMMP-LS7001	DRAWN BY	Ruru	DATE	2019-02-18
DWG NO.	AD-02PMMP-LS7001	CHECKED BY	Rita	DATE	2019-02-18
CUSTOMER	ALTW	APPROVED BY	Max	DATE	2019-02-18

THIS DOCUMENT IS SUBJECT TO CHANGE WITHOUT NOTICE. IT IS CONFIDENTIAL AND A PROPERTY OF Amphenol LTW. DISCLOSURE TO THIRD PARTY HAS TO BE AUTHORIZED BY Amphenol LTW.