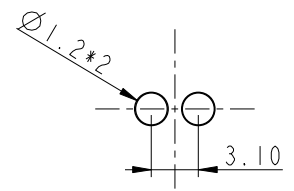
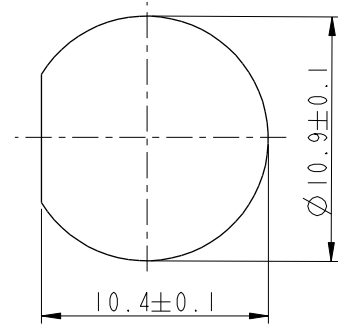


THIS DOCUMENT IS SUBJECT TO CHANGE WITHOUT NOTICE. IT IS CONFIDENTIAL AND A PROPERTY OF Amphenol LTW. DISCLOSURE TO THIRD PARTY HAS TO BE AUTHORIZED BY Amphenol LTW.

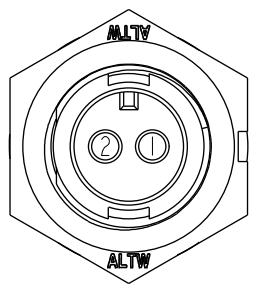
REV.	ECN NO.	DATE	SIGN	DESCRIPTION
C	LEN-8A0126	2008/09/04	Ivan	Add Note
D	LEN1640058	2016/03/29	Vicky	Update Logo
E	CI90268	2019/02/18	Ruru	Modify Note



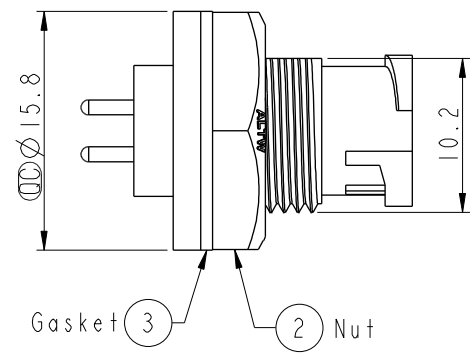
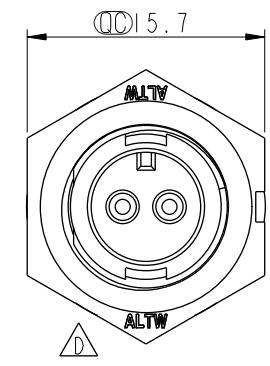
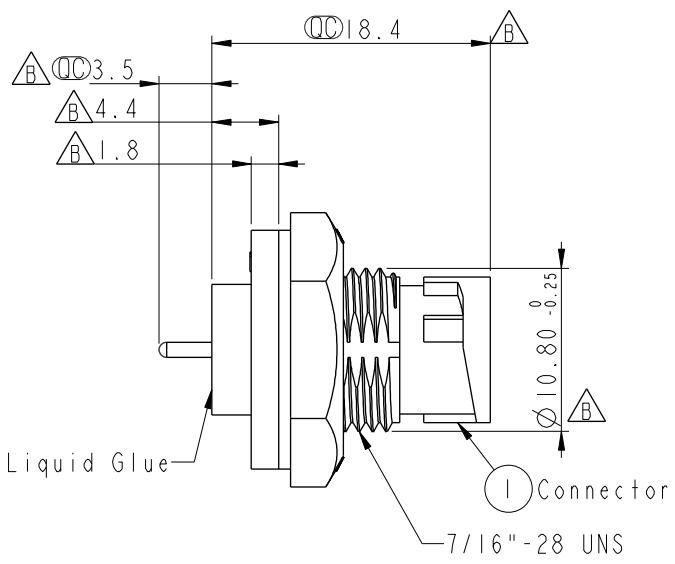
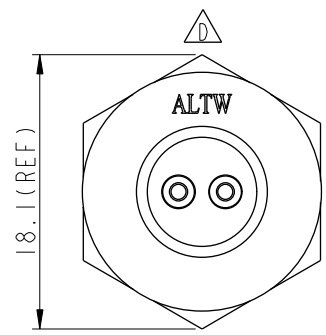
PCB Layout



Recommended Panel Cut-Out



Pin Assignments Front View



- Note:
- \* Important Dimension.
  - \* Waterproof Rate: IP67, Unmated
  - \* Housing: Thermoplastic, Black
  - \* Pin: Copper Alloy, Gold Plated
  - \* Nut: Thermoplastic, Black
  - \* Gasket: Rubber, Black
  - \* Use with waterproof cap or dust cap  
Panel thickness max: 2.5mm
  - \* Use without waterproof cap or dust cap  
Panel thickness max: 3.5mm
  - \* Gasket and Nut are packed separately in PE bags.

UNIT:mm	
TOLERANCE	
.X	±0.25
.XX	±0.1
.XXX	±0.05
ANGLES	±1°

TITLE Mini Panel Lock 2Pin M Conn. M Pin			
SCALE 2:1	SIZE A4	SHEET 1 OF 1	
REV. E	WC-REV. A.2	Inspection item	

**Amphenol LTW**  
安費諾亮泰企業股份有限公司

ITEM NO. AD-02PMMP-LC7001	DRAWN BY Ruru	DATE 2019-02-18
DWG NO. AD-02PMMP-LC7001	CHECKED BY Rita	DATE 2019-02-18
CUSTOMER ALTW	APPROVED BY Max	DATE 2019-02-18