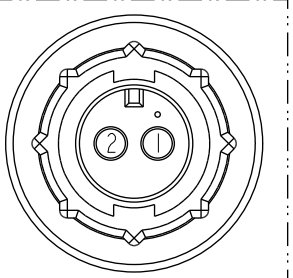
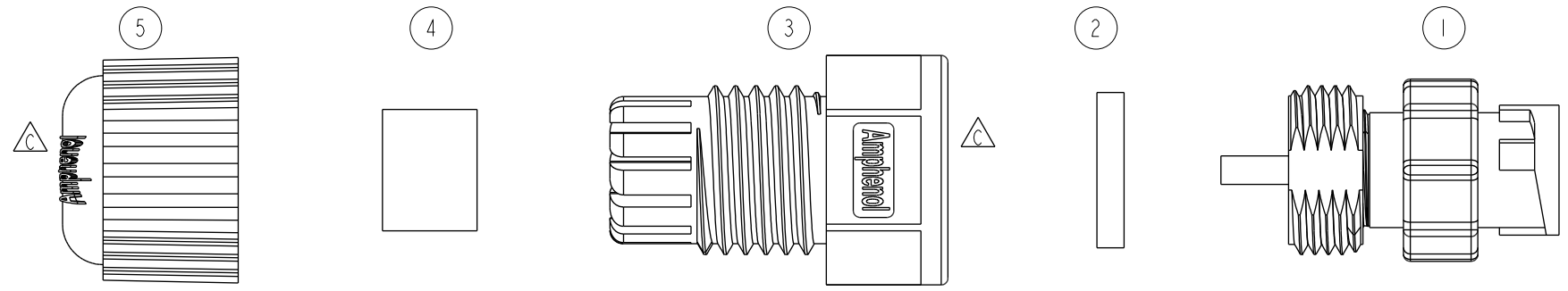
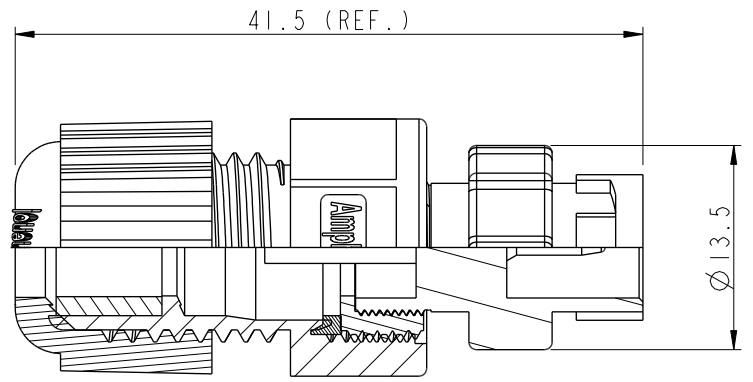


THIS DOCUMENT IS SUBJECT TO CHANGE WITHOUT NOTICE. IT IS CONFIDENTIAL AND A PROPERTY OF Amphenol LTW. DISCLOSURE TO THIRD PARTY HAS TO BE AUTHORIZED BY Amphenol LTW.

REV.	ECN NO.	DATE	SIGN	DESCRIPTION
C	LEN1410030	2014/01/04	Lu Di	Update Logo
D	C210769	2021/05/14	Ruru	$\triangle D$ X2



Pin Assignments  
Front View 前視圖



$\triangle D$  Note:

- \*  $\text{QC}$  Important Dimension To Check.
- \* Waterproof Rate: IP67
- \* Housing: Thermoplastic, Black
- \* Pin: Copper Alloy, Gold Plated
- \* Lock Nut: Thermoplastic, Black
- \* Gasket: Rubber, Black
- \* Seal: Rubber, Black
- \* Clamp Ring: Thermoplastic, Black
- \* Sealing Nut: Thermoplastic, Black
- \* Seal For Cable OD:  $\phi 4.5\text{mm} \sim \phi 6.5\text{mm}$
- \* One Set Unassembled In One PE Bag

UNIT:mm		
TOLERANCE		
.X	$\pm 0.25$	
.XX	$\pm 0.1$	
.XXX	$\pm 0.05$	
ANGLES	$\pm 1^\circ$	

TITLE O CERES, A-5A, CABLE W/O SR M, M, FI SOLDER, 2LOCK $\triangle D$			
SCALE 2:1	SIZE A4	SHEET 1 OF 1	
REV. D	WC-REV. B.3	$\text{QC}$ : Inspection item	

**Amphenol LTW**  
安費諾亮泰企業股份有限公司

ITEM NO. AD-02BMMA-LL7001	DRAWN BY Di_lu	DATE 2014-01-04
DWG NO. AD-02BMMA-LL7001	CHECKED BY Mafei	DATE 2014-01-04
CUSTOMER ALTW	APPROVED BY Victor	DATE 2014-01-04