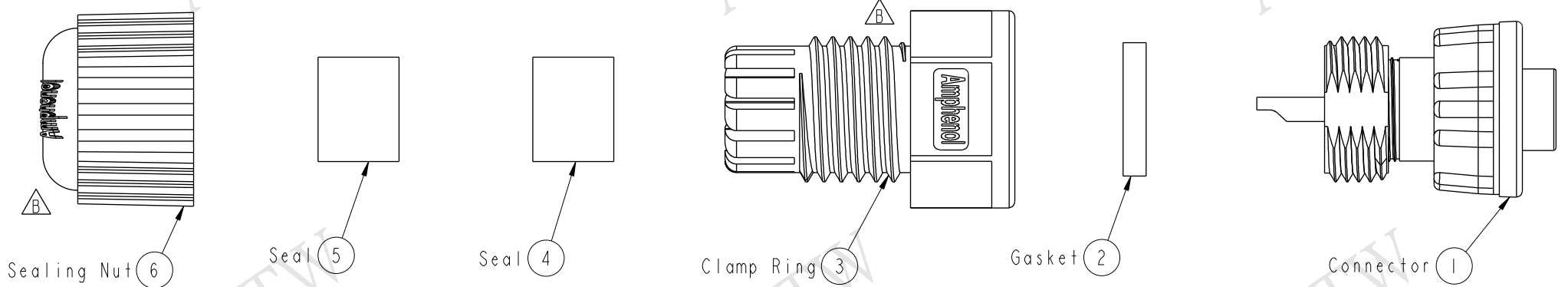


THIS DOCUMENT IS SUBJECT TO CHANGE WITHOUT NOTICE. IT IS CONFIDENTIAL AND A PROPERTY OF Amphenol LTW. DISCLOSURE TO THIRD PARTY HAS TO BE AUTHORIZED BY Amphenol LTW.

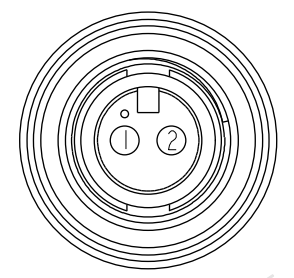
REV.	ECN NO.	DATE	SIGN	DESCRIPTION
B	LEN14B0085	2014/11/03	Vicky	Update Logo

ALTW  
CONFIDENTIAL  
2014-11-03  
R&D DEPT.

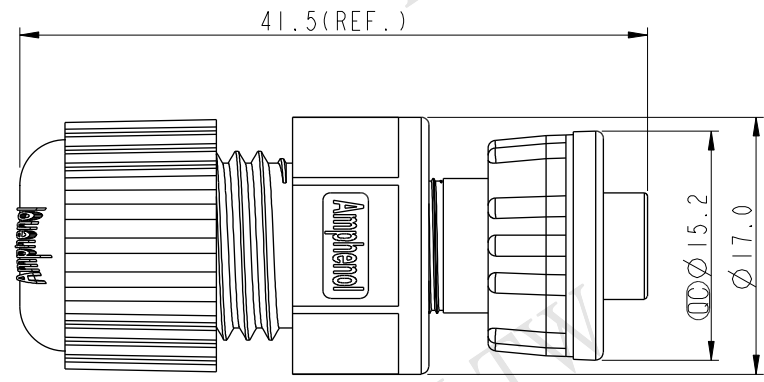
ALTW  
DCC. DEPT.  
CONFIDENTIAL  
2014.11.11  
ISSUED



- Note:
- \*  $\text{⌀}$  Important Dimension To Check.
  - \* Waterproof Rate: IP68  
IP68: IM Depth Of Water In 24hours
  - \* Housing: Nylon+GF, Black
  - \* Female Pin: Copper Alloy, Gold Plated
  - \* O-Ring: EPDM, Black
  - \* Screw Nut: Nylon+GF, Black
  - \* Gasket: EPDM, Black
  - \* Clamp Ring: Nylon, Black
  - \* Seals: EPDM, Black
  - \* Sealing Nut: Nylon, Black
  - \* Seals For Cable OD:  $\text{⌀} 4.5\text{mm} \sim \text{⌀} 7.0\text{mm}$   
(防水墊圈線徑:  $\text{⌀} 4.5\text{mm} \sim \text{⌀} 7.0\text{mm}$ )
  - \* One Set Unassembled In One PE Bag  
(每一組未組裝, 放置於一個PE袋, 並封口)



Pin Assignments  
Front View



UNIT: mm	$\text{⌀}$	$\text{⌀}$
TOLERANCE	.X	$\pm 0.25$
	.XX	$\pm 0.1$
	.XXX	$\pm 0.05$
ANGLES		$\pm 1^\circ$

TITLE Screw Type Connector For Field Intallation 180° 2Pin Female Connector Female Pin(5A)			
SCALE	SIZE	SHEET	OF
2:1	A4	1	2
REV.	WC-REV.	$\text{⌀}$ : Inspection item	
B	A.1		

**Amphenol LTW**  
安費諾亮泰企業股份有限公司

ITEM NO.	AD-02BFFA-SL8001	DRAWN BY	Vicky	DATE	2014-11-03
DWG NO.	AD-02BFFA-SL8001	CHECKED BY	Sam	DATE	2014-11-03
CUSTOMER	ALTW	APPROVED BY	Rita	DATE	2014-11-03