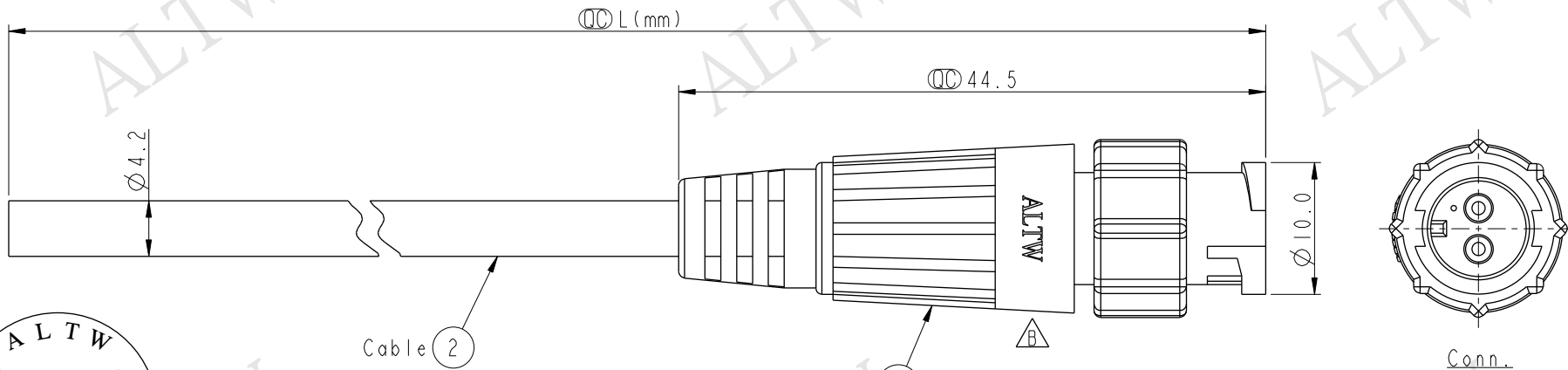


REV.	ECN NO.	DATE	SIGN	DESCRIPTION
B	LEN1530004~007	2015/02/10	Vicky	Update Logo & Note



ALTW
CONFIDENTIAL
2015-02-10
R&D DEPT.

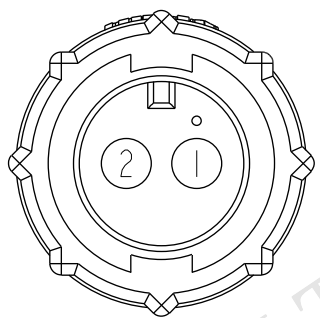
Cable ②

AD-02AMMM-LL6000 ①
Color: Black

AD-02AMMM-LL6AXX
XX: 01~99Meters
01: 01Meter
02: 02Meters
:
:
99: 99Meters
Cable Length(L): 01~99Meters


ALTW
DCC. DEPT.
CONFIDENTIAL
2015.03.04
ISSUED

- Note:
- * CC Important Dimension
 - * Waterproof Rate: IP66
 - * Connector: Nylon+GF, Black
 - * Male Pin: Copper Alloy, Gold Plated
 - * Cable: UL2464 24AWG*2C+Drain+Al/My, Black, PVC Jacket, UV Resistant, OD4.2mm
 - * Cable Length Tolerance: 01M: ±40mm
02M~05M: ±60mm
06M~10M: ±100mm
11M~30M: ±200mm
31M~99M: ±500mm



Pin Assignments
Front View

2	Red	紅
1	Black	黑
Conn.	Wire Color	
	Pin Out	

UNIT:mm 
TOLERANCE
±0.5 mm

TITLE Mini Cable Lock 2Pin M Conn M Pin			
SCALE 2:1	SIZE A4	SHEET 1 OF 1	
REV. B	WC-REV. A.1	CC: Inspection item	

Amphenol LTW
安費諾亮泰企業股份有限公司

ITEM NO	DRAWN BY Vicky	DATE 2015-02-10
DWG NO AD-02AMMM-LL6AXX	CHECKED BY Rita	DATE 2015-02-10
CUSTOMER ALTW	APPROVED BY Lion	DATE 2015-02-10

THIS DOCUMENT IS SUBJECT TO CHANGE WITHOUT NOTICE. IT IS CONFIDENTIAL AND A PROPERTY OF AMPHENOL LTW. DISCLOSURE TO THIRD PARTY HAS TO BE AUTHORIZED BY AMPHENOL LTW.