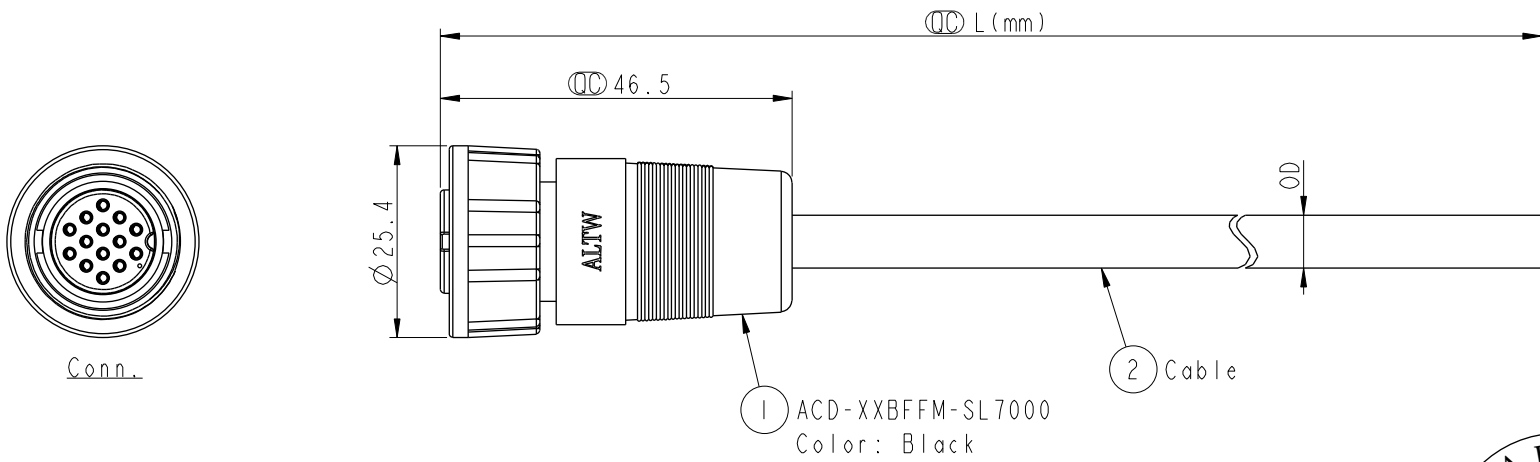


THIS DOCUMENT IS SUBJECT TO CHANGE WITHOUT NOTICE. IT IS CONFIDENTIAL AND A PROPERTY OF Amphenol LTW. DISCLOSURE TO THIRD PARTY HAS TO BE AUTHORIZED BY Amphenol LTW.

REV.	ECN NO.	DATE	SIGN	DESCRIPTION



ACD-XXBFFM-SL7AXX  
 07: 7Pin  
 :  
 :  
 14: 14Pin

XX : 01~99Meters  
 01 : 01Meter  
 02 : 02Meters  
 :  
 :  
 99 : 99Meters

Cable Length(L): 01~99Meters

Note:  
 \* (C) Important Dimension To Check  
 \* Waterproof Rate: IP67  
 \* Housing: Nylon+GF, Black  
 \* Female Pin: Copper Alloy, Gold Plated  
 \* Screw Nut: Nylon+GF, Black  
 \* Cable: UL2464 24AWG+Drain+Al/My, PVC Jacket UV Resistant, Black  
 \* Cable Length Tolerance: 01M: ±40mm  
 02M~05M: ±60mm  
 06M~10M: ±100mm  
 11M~30M: ±200mm  
 31M~99M: ±500mm

14P	PVC	7.0	24	ACD-14BFFM-SL7AXX
12P		7.0		ACD-12BFFM-SL7AXX
10P		6.5		ACD-10BFFM-SL7AXX
9P		6.0		ACD-09BFFM-SL7AXX
8P		5.5		ACD-08BFFM-SL7AXX
7P		5.8		ACD-07BFFM-SL7AXX
Contacts	Cable Jacket	Cable OD	AWG	Item No.

UNIT:mm		TITLE Middle Cable Screw F Conn F Pin		
TOLERANCE	±0.5 mm	SCALE 1:1	SIZE A4	SHEET 1 OF 2
REV. A	WC-REV. A.1	(C) Inspection item		

**Amphenol LTW**  
 安費諾亮泰企業股份有限公司

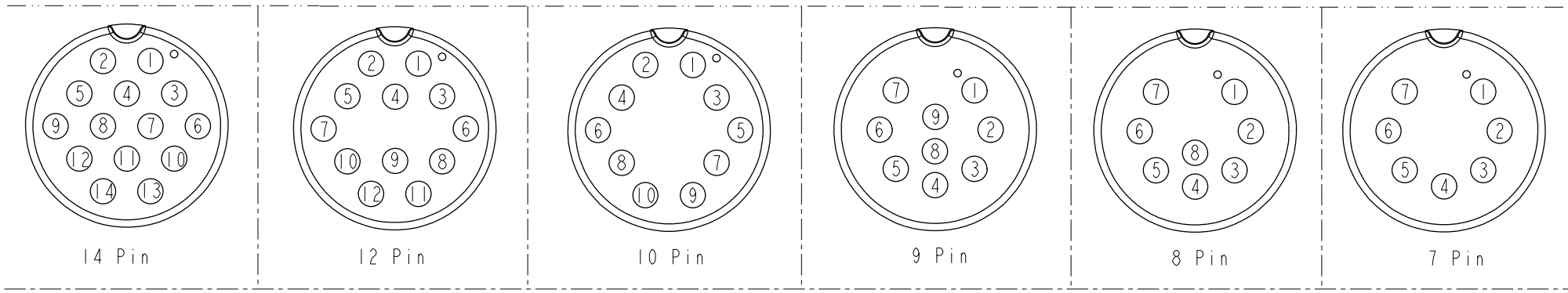
ITEM NO	DRAWN BY Vicky	DATE 2017-07-20
DWG NO ACD-XXBFFM-SL7AXX	CHECKED BY Mafei	DATE 2017-07-20
CUSTOMER ALTW	APPROVED BY Max	DATE 2017-07-20

THIS DOCUMENT IS SUBJECT TO CHANGE WITHOUT NOTICE. IT IS CONFIDENTIAL AND A PROPERTY OF Amphenol LTW. DISCLOSURE TO THIRD PARTY HAS TO BE AUTHORIZED BY Amphenol LTW.



14 Brown/White 棕/白 13 Black/White 黑/白 12 Light Green 淺綠 11 Purple 紫 10 Orange 橙 9 Black 黑 8 Red 紅 7 Pink 粉紅 6 Gray 灰 5 Yellow 黃 4 Green 綠 3 White 白 2 Blue 藍 1 Brown 棕 Pin # Wire	12 Light Green 淺綠 11 Purple 紫 10 Orange 橙 9 Black 黑 8 Red 紅 7 Pink 粉紅 6 Gray 灰 5 Yellow 黃 4 Green 綠 3 White 白 2 Blue 藍 1 Brown 棕 Pin # Wire	10 Orange 橙 9 Black 黑 8 Red 紅 7 Pink 粉紅 6 Gray 灰 5 Yellow 黃 4 Green 綠 3 White 白 2 Blue 藍 1 Brown 棕 Pin # Wire	9 Black 黑 8 Red 紅 7 Pink 粉紅 6 Gray 灰 5 Yellow 黃 4 Green 綠 3 White 白 2 Blue 藍 1 Brown 棕 Pin # Wire	8 Green 綠 7 Yellow 黃 6 Orange 橙 5 Red 紅 4 Blue 藍 3 White 白 2 Brown 棕 1 Black 黑 Pin # Wire	7 White 白 6 Green 綠 5 Brown 棕 4 Red 紅 3 Yellow 黃 2 Orange 橙 1 Blue 藍 Pin # Wire
---	---	---	--	---	--

Pin Out



Pin Assignments Front View

UNIT:mm 	TITLE Middle Cable Screw F Conn F Pin			<b>Amphenol LTW</b> 安費諾亮泰企業股份有限公司	ITEM NO	DRAWN BY Vicky	DATE 2017-07-20
	SCALE 1:1	SIZE A4	SHEET 2 OF 2		DWG NO ACD-XXBFFM-SL7AXX	CHECKED BY Mafei	DATE 2017-07-20
	REV. A	WC-REV. A.1	QC: Inspection item		CUSTOMER ALTW	APPROVED BY Max	DATE 2017-07-20