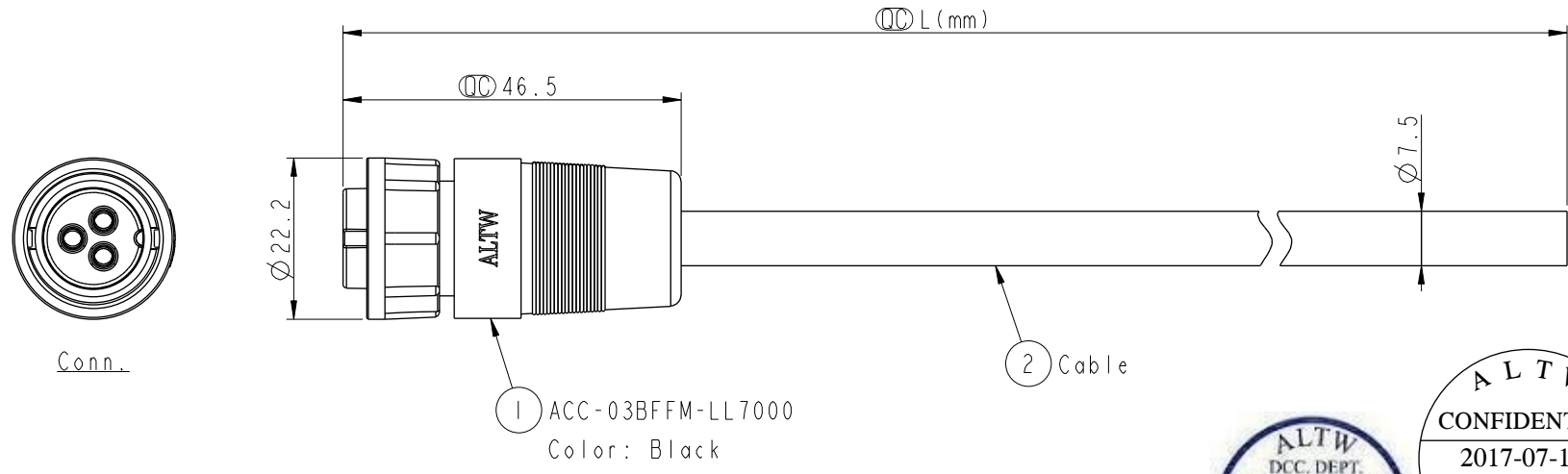


THIS DOCUMENT IS SUBJECT TO CHANGE WITHOUT NOTICE. IT IS CONFIDENTIAL AND A PROPERTY OF Amphenol LTW. DISCLOSURE TO THIRD PARTY HAS TO BE AUTHORIZED BY Amphenol LTW.

REV.	ECN NO.	DATE	SIGN	DESCRIPTION



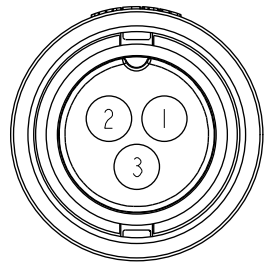
ACC-03BFFM-LL7AXX

- XX : 01~99Meters
- 01 : 01Meter
- 02 : 02Meters
- :
- :
- 99 : 99Meters

Cable Length(L): 01~99Meters

Note:

- * \varnothing Important Dimension To Check
- * Waterproof Rate: IP67
- * Housing: Nylon+GF, Black
- * Female Pin: Copper Alloy, Gold Plated
- * Lock Nut: Nylon+GF, Black
- * Cable: UL2464 16AWG*3C+D+Al/My, PVC Jacket UV Resistant, OD=7.5, Black
- * Cable Length Tolerance: 01M:±40mm
02M~05M:±60mm
06M~10M:±100mm
11M~30M:±200mm
31M~99M:±500mm



Pin Assignments
Front View

3	Black	黑
2	Blue	藍
1	Brown	棕
Conn.	Wire Color	
Pin Out		

UNIT:mm	
TOLERANCE	±0.5 mm

TITLE Middle Cable Lock 3P F Conn F Pin			
SCALE 1:1	SIZE A4	SHEET 1 OF 1	
REV. A	WC-REV. A.1	\varnothing : Inspection item	

Amphenol LTW
安費諾亮泰企業股份有限公司

ITEM NO	DRAWN BY Vicky	DATE 2017-07-14
DWG NO ACC-03BFFM-LL7AXX	CHECKED BY Mafei	DATE 2017-07-14
CUSTOMER ALTW	APPROVED BY Max	DATE 2017-07-14