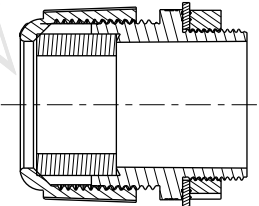
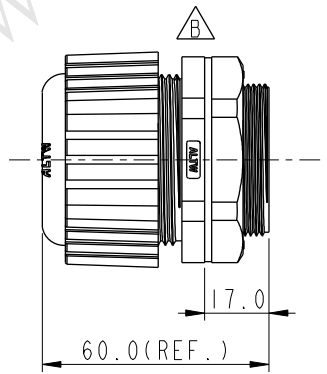
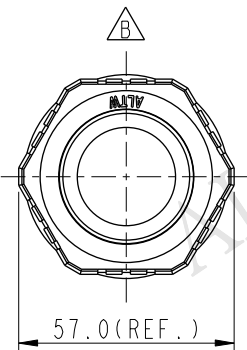
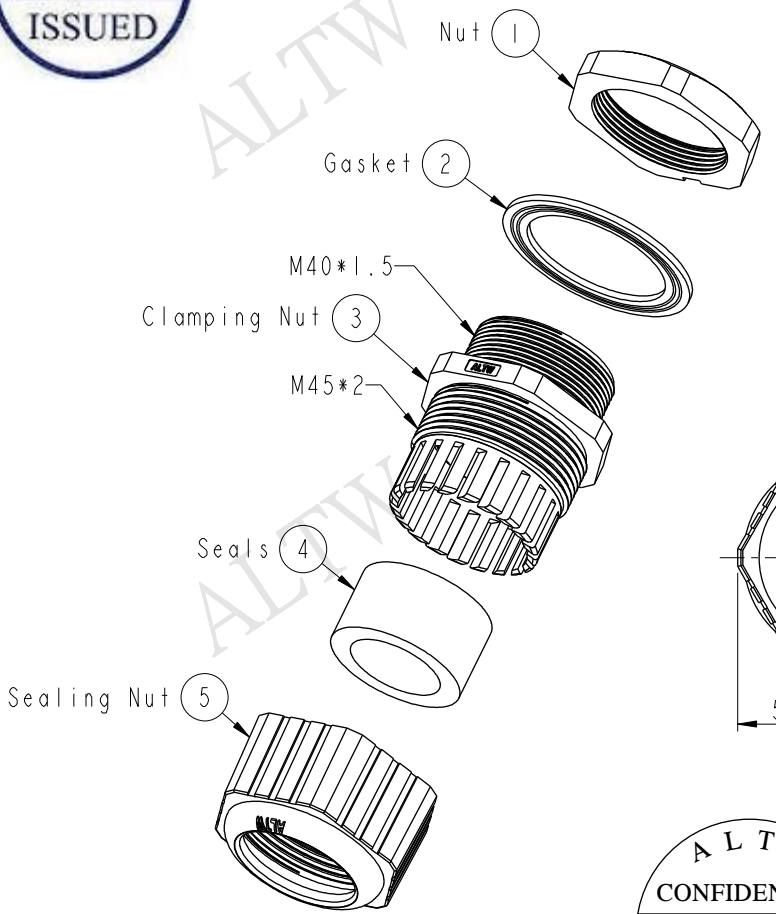
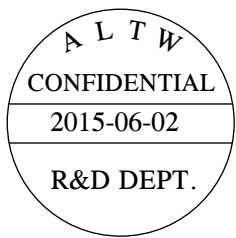
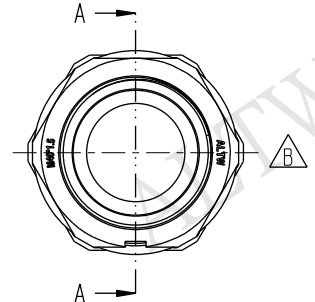




REV.	ECN NO.	DATE	SIGN	DESCRIPTION
B	LEN1570060	2015/06/02	Ruru	Change Logo



Section A-A



- Note:
- * Waterproof Rate: IP68
 - * Screw Nut: Nylon, Black
 - * Clamp Ring: Nylon, Black
 - * Sealing Nut: Nylon, Black
 - * Gasket: EPDM, Black
 - * Seals: EPDM, Black
 - * For Panel Thickness: 9.0mm max
 - * Cable Range: $\varnothing 20 \sim \varnothing 25$ mm
 - * Spanner Size:
 Body: 50.3mm
 Sealing Nut: 51.7mm
 Screw Nut: 50.0mm

UNIT:mm	
TOLERANCE	± 0.5 mm

TITLE Cable Gland Assembly(M40*1.5)			
SCALE 1:2	SIZE A4	SHEET 1 OF 1	
REV. B	WC-REV. A.1	QC: Inspection item	

Amphenol LTW
安費諾亮泰企業股份有限公司

ITEM NO CSG-40M001	DRAWN BY Ruru	DATE 2015-06-02
DWG NO CSG-40M001	CHECKED BY Rita	DATE 2015-06-02
CUSTOMER ALTW	APPROVED BY Lion	DATE 2015-06-02

THIS DOCUMENT IS SUBJECT TO CHANGE WITHOUT NOTICE. IT IS CONFIDENTIAL AND A PROPERTY OF Amphenol LTW. DISCLOSURE TO THIRD PARTY HAS TO BE AUTHORIZED BY Amphenol LTW.