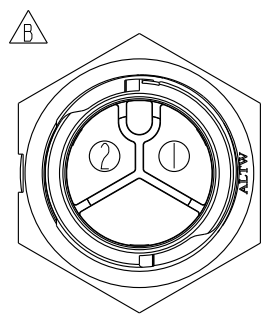
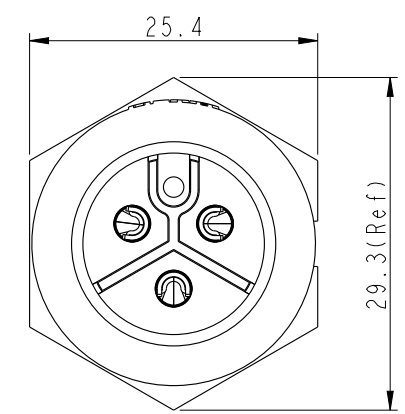
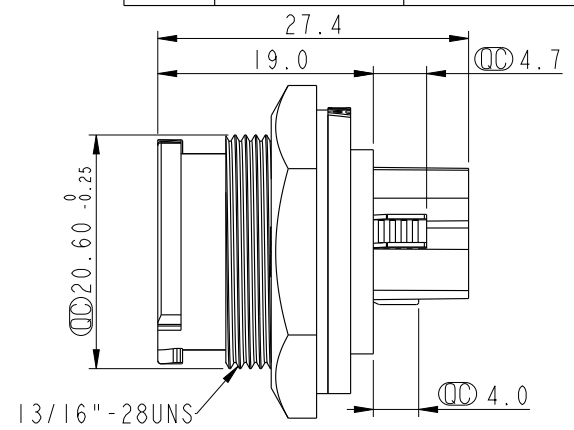
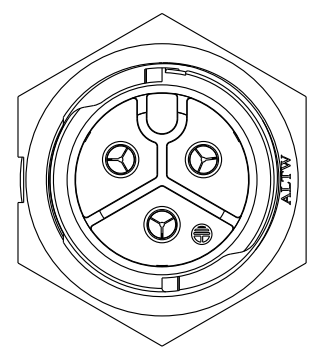


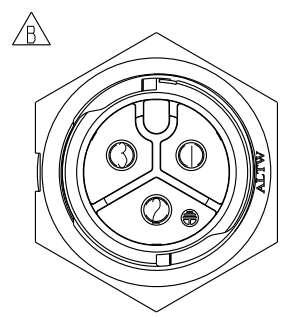
THIS DOCUMENT IS SUBJECT TO CHANGE WITHOUT NOTICE. IT IS CONFIDENTIAL AND A PROPERTY OF Amphenol LTW. DISCLOSURE TO THIRD PARTY HAS TO BE AUTHORIZED BY Amphenol LTW.

REV.	ECN NO.	DATE	SIGN	DESCRIPTION
A		2021/08/26	Xiaofeng	New Initial
B	C211585	2021/10/19	Xiaofeng	△X6
C	C220254	2022/02/21	Xiaofeng	△XI

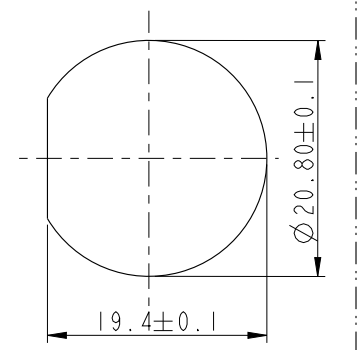
△ CC-XXPMMS-QC801P
 2Pin
 3Pin



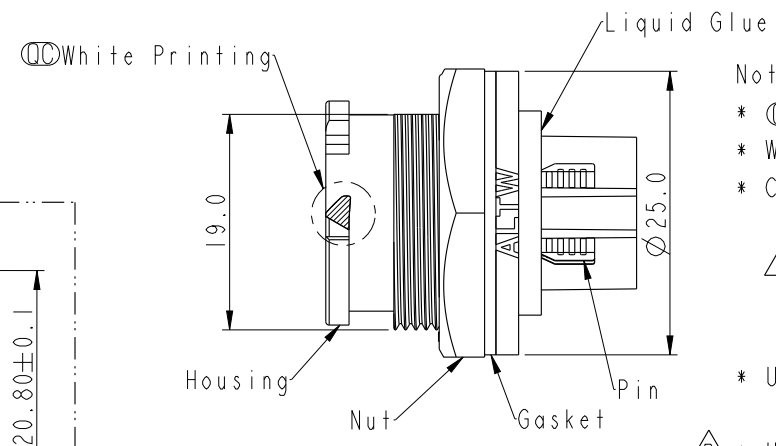
2Pin
 Pin Assignments
 Front View



3Pin
 Pin Assignments
 Front View



Recommender Panel Cut-Out



Note:

- * Ⓞ Important Dimension.
- * Waterproof Rate: IPX8, Unmated 1M/24h.
- * Connector
 - Housing: Thermoplastic, Black.
 - △ Pin: Copper Alloy, Silver Plated.
 - Gasket: Rubber, Gray.
 - Nut: Thermoplastic Black.
- * Use with waterproof cap or dust cap
 Panel Thickness Max: 2.5mm.
- △ * Use without waterproof cap or dust cap
 Panel Thickness Max: 3.7mm.
- * Gasket and nut are packed separately in PE bag.
- △ * RoHS Compliant.

UNIT:mm		
TOLERANCE	.X ±0.25	
	.XX ±0.1	
	.XXX ±0.05	
ANGLES	±1°	

TITLE △ XLOK, C, FRONT FASTENED M, M, SOLDER, PUSH LOCK(600V,10A)			
SCALE 3:2	SIZE A4	SHEET 1 OF 1	
REV. C	WC-REV. .0	Ⓞ: Inspection item	

Amphenol LTW
 安費諾亮泰企業股份有限公司

ITEM NO	DRAWN BY Xiaofeng	DATE 2021/08/26
DWG NO CC-XXPMMS-QC801P	CHECKED BY Feng-Li	DATE 2021/08/26
CUSTOMER ALTW	APPROVED BY Jerry	DATE 2021/08/26