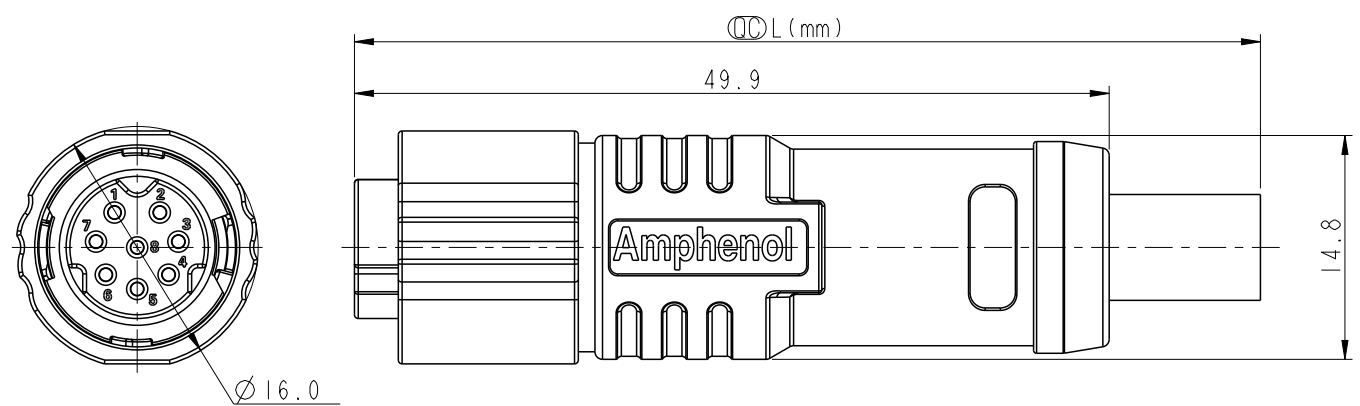


THIS DOCUMENT IS SUBJECT TO CHANGE WITHOUT NOTICE. IT IS CONFIDENTIAL AND A PROPERTY OF Amphenol LTW. DISCLOSURE TO THIRD PARTY HAS TO BE AUTHORIZED BY Amphenol LTW.

8P	PVC	7.0	24	ASU-08BFFM-QL8FXX
Contacts	Cable Jacket	Cable OD	AWG	Item No.

REV.	ECN NO.	DATE	SIGN	DESCRIPTION
A		2022-01-03	Sam Ho	Rev.01 to A, Initial Released

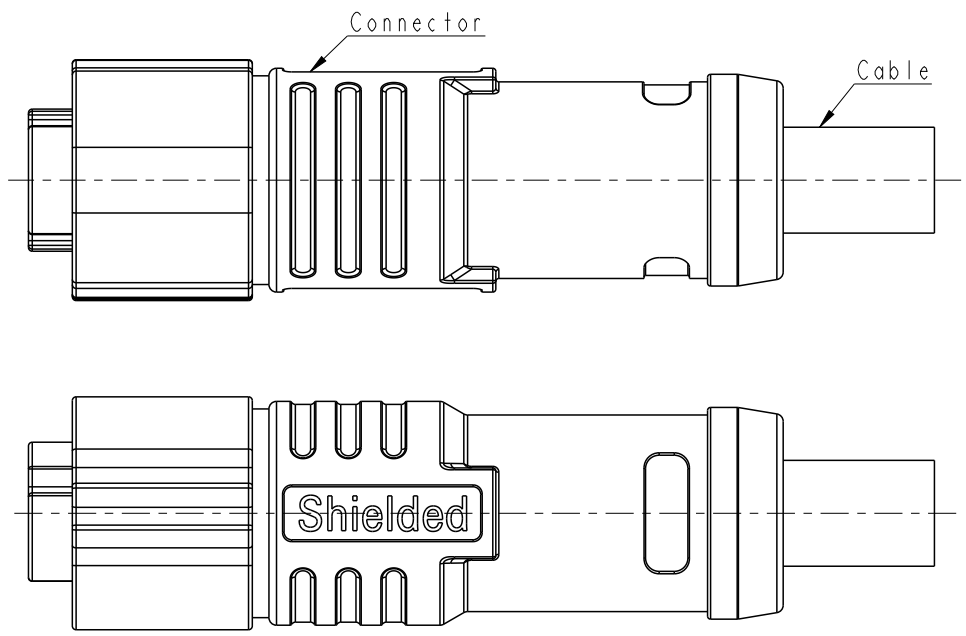
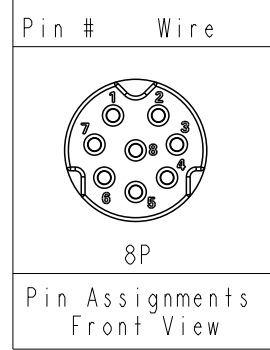


ASU-XXBFFM-QL8FXX

XX: L=0-99Meters
 01: L=1Meters
 02: L=2Meters
 :
 99: L=99Meters

XX: No. Of Pin

Shield Braid	編織
8 Red	紅
7 Blue	藍
6 Pink	粉紅
5 Gray	灰
4 Yellow	黃
3 Green	綠
2 Brown	棕
1 White	白



Note:

- * RoHS Compliant
- * ⌀ Important dimension
- * Waterproof rate: IPX8, mated 1m/24h
- * Connector
 - Housing: Thermoplastic, Black
 - Pin: Copper alloy, Gold plated
 - Shield: Metal
 - Nut: Metal
 - Outer mold: Thermoplastic, Black
- * Cable: UL21996, PVC Jacket, Black
- * Cable length tolerance:
 - 1M: +50/-0 mm
 - 1M < L ≤ 3M: +100/-0 mm
 - 3M < L ≤ 5M: +150/-0 mm
 - 5M < L ≤ 10M: ±100 mm
 - 10M < L ≤ 20M: ±200 mm
 - 20M < L ≤ 30M: ±300 mm
 - 30M < L ≤ 99M: ±500 mm

UNIT:mm

TOLERANCE
±0.50mm

TITLE
XLOK, A SHLD-2A, 08P, CABLE W/O SR

SCALE 2:1 SIZE A4 SHEET 1 OF 1

REV. A WC-REV. ⌀ Inspection item

Amphenol LTW
 安費諾亮泰企業股份有限公司

ITEM NO.	DRAWN BY	DATE
DWG NO.	CHECKED BY	DATE
CUSTOMER	APPROVED BY	DATE
ALTW	Sam Ho	2021-12-03
	Fred Lee	2021-12-03
	Fred Lee	2021-12-03