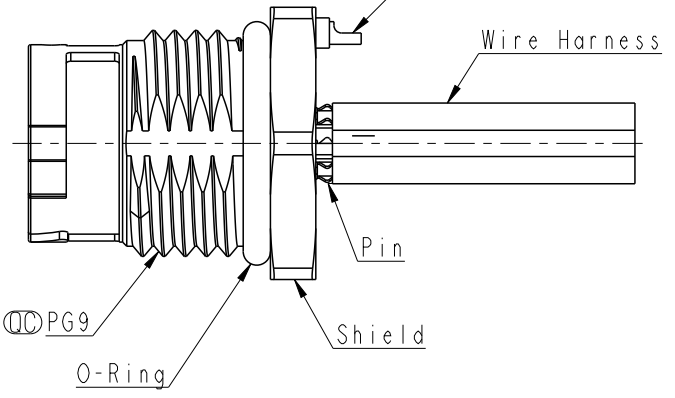
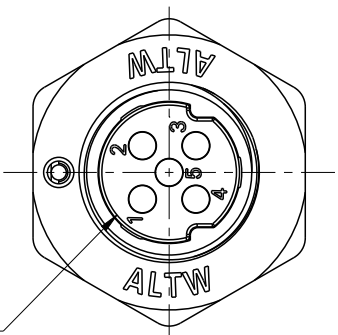
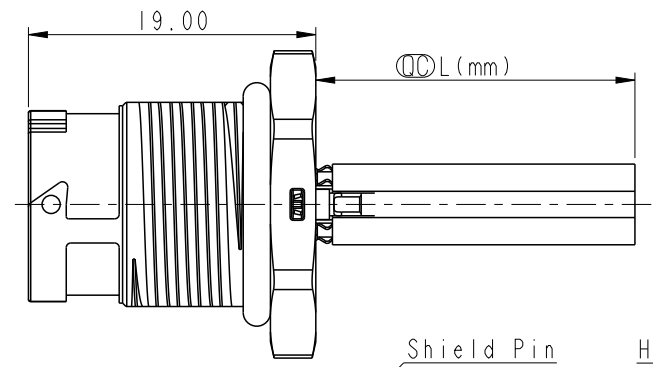
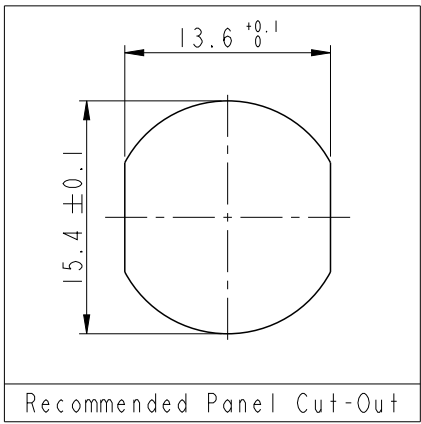


REV.	ECN NO.	DATE	SIGN	DESCRIPTION
A		2022-01-03	Sam Ho	Rev.02 to A, Initial Released

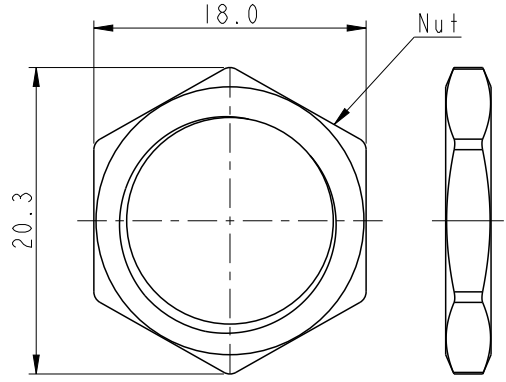
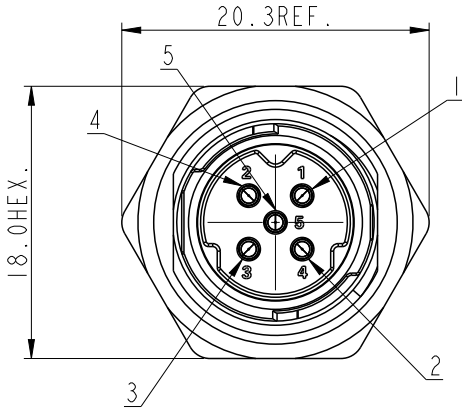


- Note:
- * RoHS Compliant
 - * \varnothing Important dimension
 - * Waterproof rate: IPX8, unmated 1m/24h
 - * Housing: Thermoplastic, Black
 - * Pin: Copper alloy, Gold plated
 - * Shield Pin: Copper alloy, Gold plated
 - * Shield: Metal
 - * Nut: Metal
 - * O-Ring: Rubber, Black
 - * Wire harness: UL1430, 20#, \varnothing 1.8.
 - * For panel thickness max: 4.5mm
 - * Nut is packed separately in pe bag
 - * Wire harness tolerance:
 - 100mm: \pm 10mm
 - 100mm < L \leq 300mm: \pm 15mm
 - 300mm < L \leq 1000mm: \pm 20mm
 - 1000mm < L \leq 1500mm: \pm 50mm

5	Yellow	黃
4	Orange	橘
3	Red	紅
2	Brown	棕
1	Black	黑

Pin # Wire

5P
Pin Assignments Front View



ASD-XXPMMS-QC8AXX

XX: L=10~150cm
 10: L=10cm
 15: L=15cm
 :
 A0: L=100cm
 A1: L=110cm
 :
 XX: No. Of Pin

UNIT: mm TOLERANCE \pm 0.50mm	TITLE XLOK, A SHLD-5A, FRONT FASTENED M, M, SOLDER, PUSH LOCK		<h1>Amphenol LTW</h1> <p>安費諾亮泰企業股份有限公司</p>	ITEM NO	DRAWN BY Sam Ho	DATE 2021-09-15		
	SCALE 2:1	SIZE A4		SHEET 1	OF 1	DWG NO ASD-XXPMMS-QC8AXX	CHECKED BY Fred Lee	DATE 2021-09-15
	REV. A	WC-REV.		\varnothing : Inspection item	CUSTOMER ALTW	APPROVED BY Fred Lee	DATE 2021-09-15	

THIS DOCUMENT IS SUBJECT TO CHANGE WITHOUT NOTICE. IT IS CONFIDENTIAL AND A PROPERTY OF AMPHENOL LTW. DISCLOSURE TO THIRD PARTY HAS TO BE AUTHORIZED BY AMPHENOL LTW.