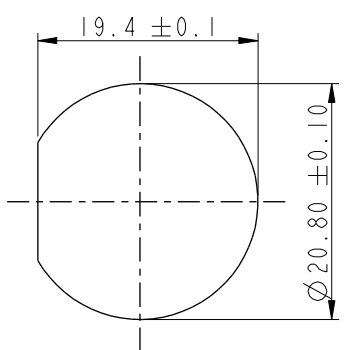
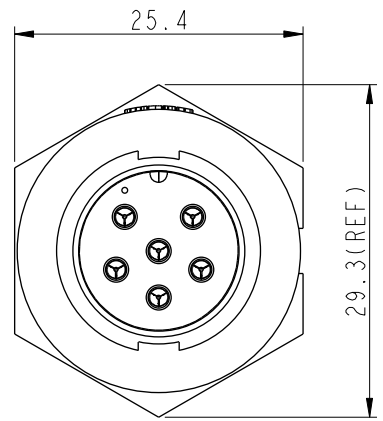
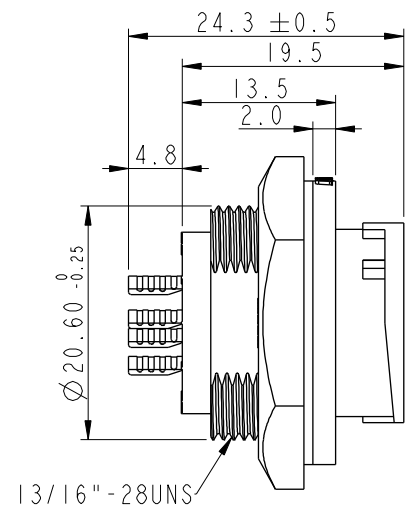
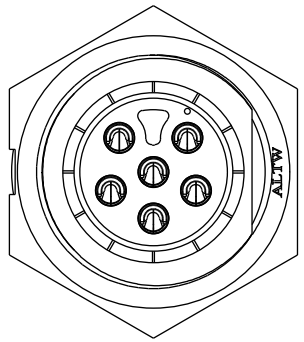


THIS DOCUMENT IS SUBJECT TO CHANGE WITHOUT NOTICE. IT IS CONFIDENTIAL AND A PROPERTY OF Amphenol LTW. DISCLOSURE TO THIRD PARTY HAS TO BE AUTHORIZED BY Amphenol LTW.

REV.	ECN NO.	DATE	SIGN	DESCRIPTION
B	C190348	2019/03/06	Vicky	Change Note

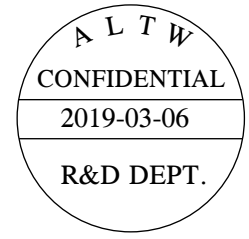
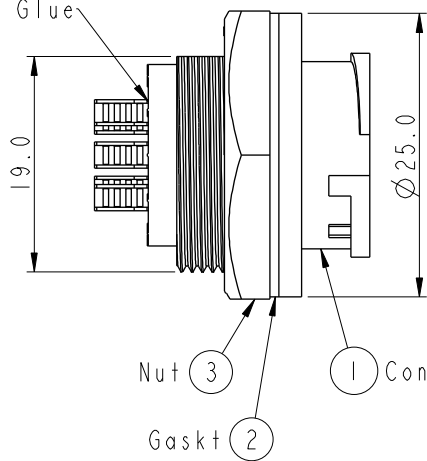


Recommended Panel
Cut-Out

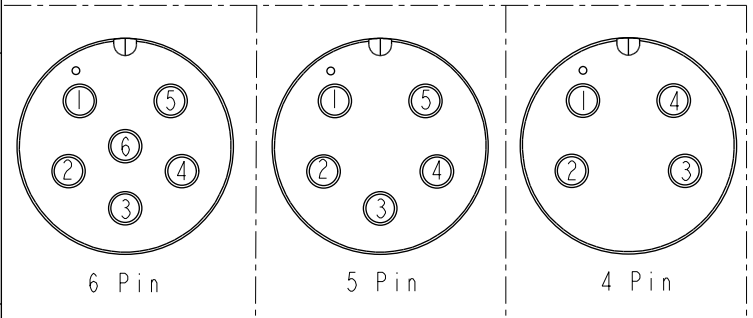


ACB-XXRMMS-LC7001
04: 4Pin
:
06: 6Pin

With Liquid Glue



- Note:**
- * CC Important Dimension To Check.
 - * Waterproof Rate: IP67, Unmated.
 - * Housing: Thermoplastic, Black.
 - * Pin: Copper Alloy, Gold Plated.
 - * Nut: Thermoplastic, Black.
 - * Gasket: Rubber, Gray.
 - * Maximum Panel Thickness: 4.0mm
 - * Gasket and Nut are packed separately in PE bags. (Gasket/Nut 不組裝, 散裝出貨)



Pin Assignments Front View

UNIT: mm		TITLE MIDDLE PANEL LOCK M CONN M PIN		
TOLERANCE	.X ±0.25 .XX ±0.1 .XXX ±0.05 ANGLES ±1°	SCALE 3:2	SIZE A4	SHEET 1 OF 1
REV.	B	WC-REV.	A.2	CC : Inspection item

Amphenol LTW
安費諾亮泰企業股份有限公司

ITEM NO.	DRAWN BY	DATE
	Vicky	2019-03-06
DWG NO.	CHECKED BY	DATE
ACB-XXRMMS-LC7001	Rita	2019-03-06
CUSTOMER	APPROVED BY	DATE
ALTW	Max	2019-03-06