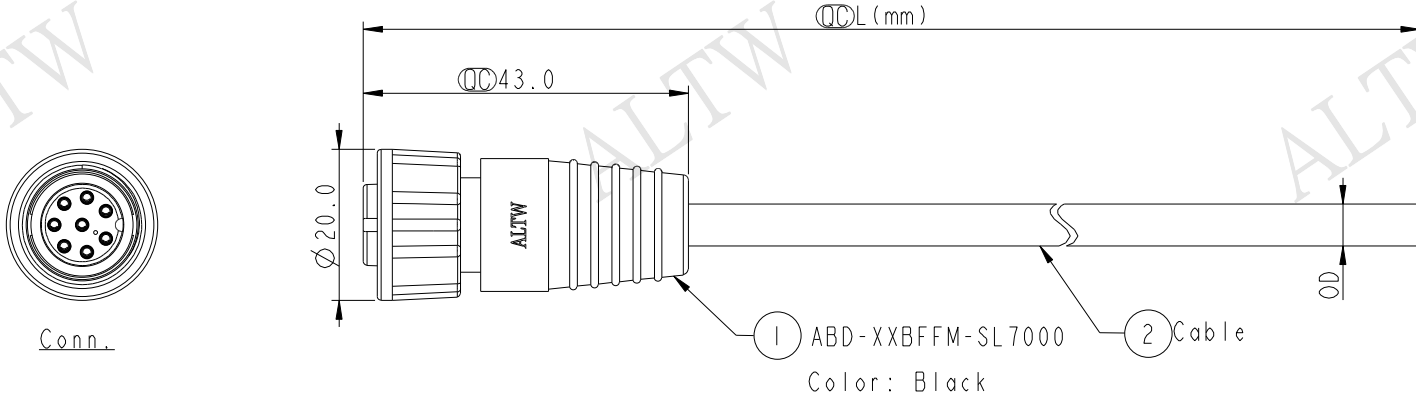


THIS DOCUMENT IS SUBJECT TO CHANGE WITHOUT NOTICE. IT IS CONFIDENTIAL AND A PROPERTY OF Amphenol LTW. DISCLOSURE TO THIRD PARTY HAS TO BE AUTHORIZED BY Amphenol LTW.

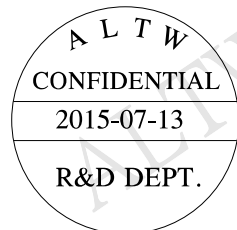
1	2	3	4	5	6	7	8
REV.	ECN NO.	DATE	SIGN	DESCRIPTION			



ABD-XXBFFM-SL7AXX  
 02: 2Pin  
 :  
 :  
 08: 8Pin

XX : 01~99Meters  
 01 : 01Meter  
 02 : 02Meters  
 :  
 :  
 99 : 99Meters

Cable Length(L): 01~99Meters



- Note:
- \* (CC) Important Dimension To Check.
  - \* Waterproof Rate: IP67
  - \* Housing: Nylon+GF, Black.
  - \* Female Pin: Copper Alloy, Gold Plated.
  - \* Screw Nut: Nylon+GF, Black.
  - \* O-Ring: Silicone, Gray
  - \* Cable: UL2464 24AWG+D+AL/Wy  
PVC Jacket UV Resistant, Black.
  - \* Cable Length Tolerance: 01M: 40mm  
02M~05M: ±60mm  
06M~10M: ±100mm  
11M~30M: ±200mm  
31M~99M: ±500mm

8P	PVC	5.5	24	ABD-08BFFM-SL7AXX
7P		5.8		ABD-07BFFM-SL7AXX
6P		5.8		ABD-06BFFM-SL7AXX
5P		5.0		ABD-05BFFM-SL7AXX
4P		5.8		ABD-04BFFM-SL7AXX
3P		4.5		ABD-03BFFM-SL7AXX
2P		4.2		ABD-02BFFM-SL7AXX
Contacts		Cable Jacket		Cable OD

UNIT: mm		TITLE STANDARD CABLE SCREW F CONN F PIN		
TOLERANCE ±0.5mm	SCALE 1:1	SIZE A4	SHEET 1 OF 2	REV. A
	WC-REV. A.1	CC: Inspection item		

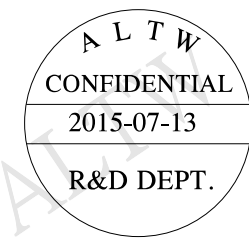
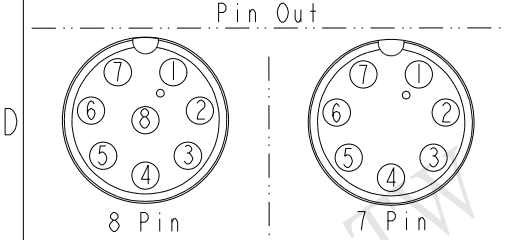
**Amphenol LTW**  
 安費諾亮泰企業股份有限公司

ITEM NO	DRAWN BY Jinhai	DATE 2015-07-13
DWG NO ABD-XXBFFM-SL7AXX	CHECKED BY Rensong	DATE 2015-07-13
CUSTOMER ALTW	APPROVED BY Jerry	DATE 2015-07-13

THIS DOCUMENT IS SUBJECT TO CHANGE WITHOUT NOTICE. IT IS CONFIDENTIAL AND A PROPERTY OF AMPHENOL LTW. DISCLOSURE TO THIRD PARTY HAS TO BE AUTHORIZED BY AMPHENOL LTW.

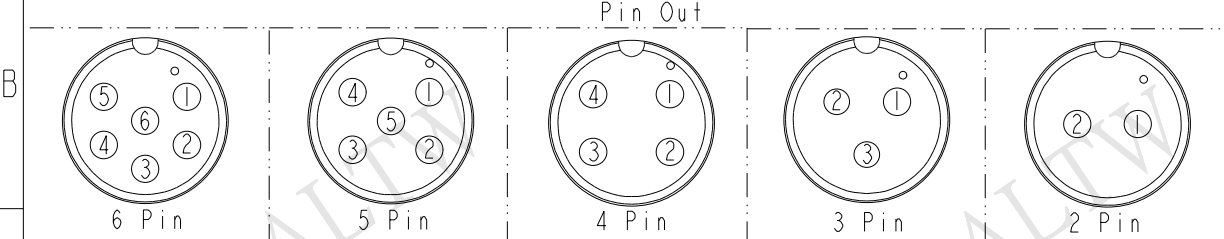
REV.	ECN NO.	DATE	SIGN	DESCRIPTION

8	Green 綠	7	White 白
7	Yellow 黃	6	Green 綠
6	Orange 橙	5	Brown 棕
5	Red 紅	4	Red 紅
4	Blue 藍	3	Yellow 黃
3	White 白	2	Orange 橙
2	Brown 棕	1	Blue 藍
1	Black 黑		
Pin #	Wire	Pin #	Wire



Pin Assignments Front View

6	White 白	5	Green 綠	4	Yellow 黃	3	Black 黑	2	Red 紅
5	Red 紅	4	White 白	3	Red 紅	2	Blue 藍	1	Black 黑
4	Orange 橙	3	Black 黑	2	Green 綠	1	Brown 棕		
3	Yellow 黃	2	Blue 藍	1	White 白				
2	Green 綠	1	Brown 棕						
1	Blue 藍								
Pin #	Wire	Pin #	Wire	Pin #	Wire	Pin #	Wire	Pin #	Wire



Pin Assignments Front View

UNIT:mm 	TITLE STANDARD CABLE SCREW F CONN F PIN			<b>Amphenol LTW</b> <b>安費諾亮泰企業股份有限公司</b>	ITEM NO	DRAWN BY	DATE
	SCALE 1:1	SIZE A4	SHEET 2 OF 2		DWG NO ABD-XXBFFM-SL7AXX	CHECKED BY Rensong	DATE 2015-07-13
	REV. A	WC-REV. A.1	QC: Inspection item		CUSTOMER ALTW	APPROVED BY Jerry	DATE 2015-07-13