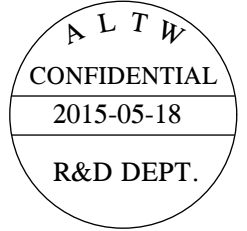
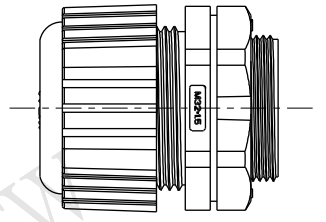
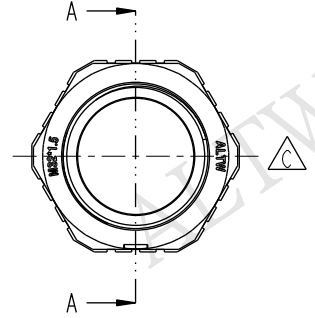
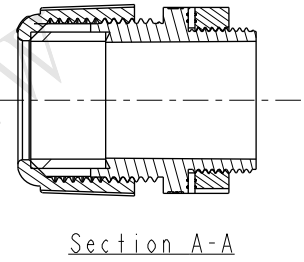
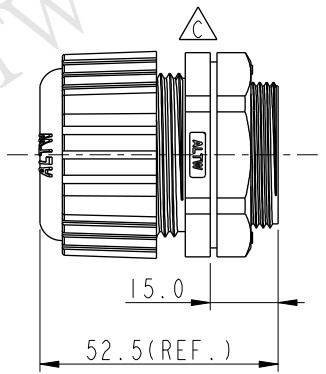
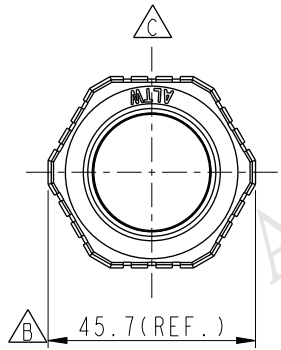
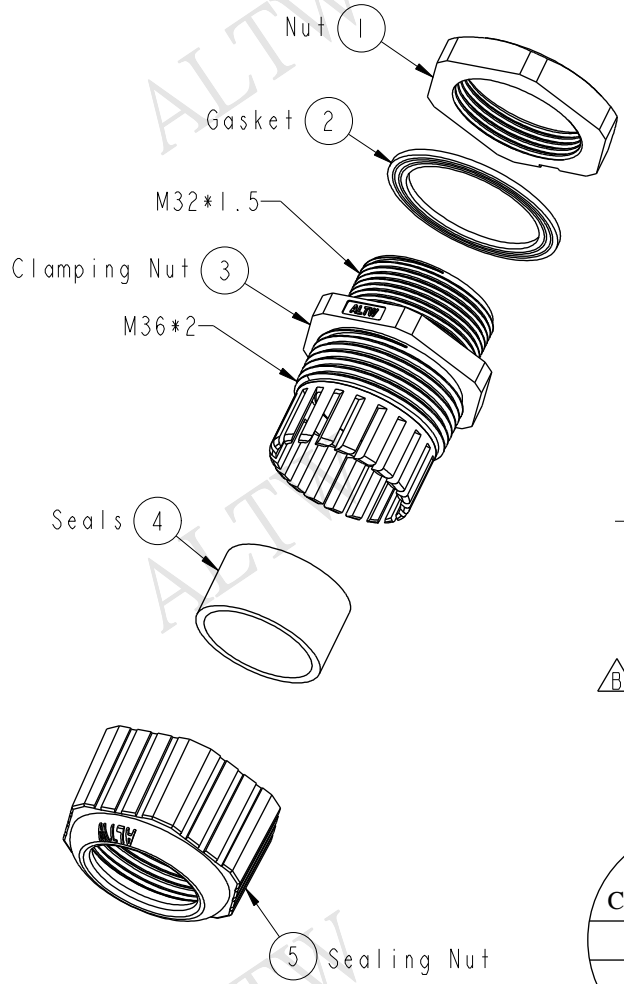


REV.	ECN NO.	DATE	SIGN	DESCRIPTION
B	LEN1360020	2013/05/29	Sam	Modify Dimension.
C	LEN1560122	2015/05/18	Ruru	Change Logo



Note:
 * Waterproof Rate: IP68
 * Screw Nut: Nylon, Gray
 * Clamp Ring: Nylon, Gray
 * Sealing Nut: Nylon, Gray
 * Gasket: EPDM, Black
 * Seals: EPDM, Black
 * Cable Range: $\varnothing 18-\varnothing 25\text{mm}$
 * For Panel Thickness: 6.0mm max
 * Spanner Size:
 Body: 41.0mm
 Sealing Nut: 42.2mm
 Screw Nut: 41.0mm

UNIT: mm		
TOLERANCE	.X ± 0.25	
	.XX ± 0.1	
	.XXX ± 0.05	
ANGLES	$\pm 1^\circ$	

TITLE Cable Gland Assembly(M32*1.5 - Long Type)			
SCALE 3:5	SIZE A4	SHEET 1 OF 1	
REV. C	WC-REV. A.1	QC: Inspection item	

Amphenol LTW
 安費諾亮泰企業股份有限公司

ITEM NO CSG-32M006	DRAWN BY Ruru	DATE 2015-05-18
DWG NO CSG-32M006	CHECKED BY Rita	DATE 2015-05-18
CUSTOMER ALTW	APPROVED BY Lion	DATE 2015-05-18

THIS DOCUMENT IS SUBJECT TO CHANGE WITHOUT NOTICE. IT IS CONFIDENTIAL AND A PROPERTY OF AMPHENOL LTW. DISCLOSURE TO THIRD PARTY HAS TO BE AUTHORIZED BY AMPHENOL LTW.