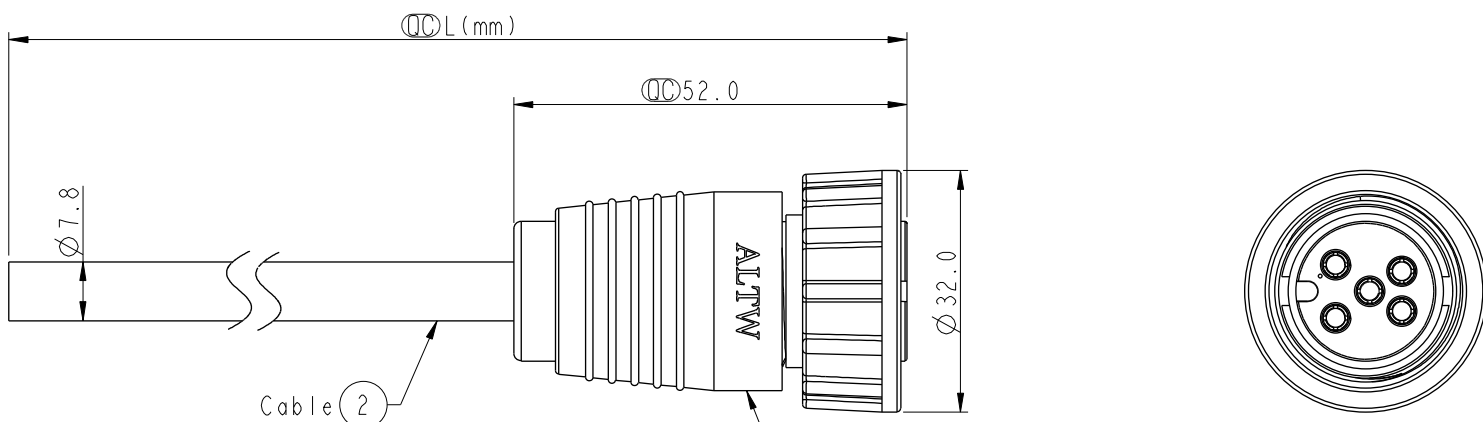


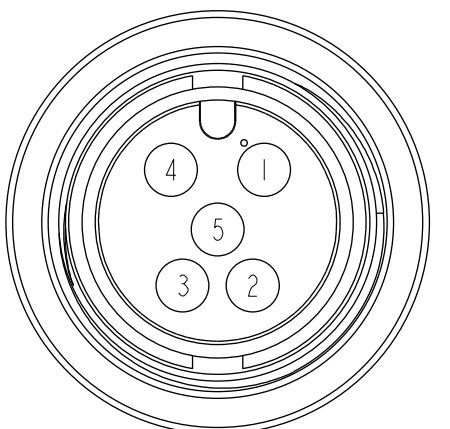
THIS DOCUMENT IS SUBJECT TO CHANGE WITHOUT NOTICE. IT IS CONFIDENTIAL AND A PROPERTY OF Amphenol LTW. DISCLOSURE TO THIRD PARTY HAS TO BE AUTHORIZED BY Amphenol LTW.

REV.	ECN NO.	DATE	SIGN	DESCRIPTION



**ALTW**  
 CONFIDENTIAL  
 2014-01-16  
 R&D DEPT.

**ALTW**  
 DCC. DEPT.  
 CONFIDENTIAL  
 2014.01.17  
 ISSUED



Pin Assignments  
Front View

Conn.	Wire Color	Pin Out
5	White	白
4	Brown	棕
3	Blue	藍
2	Black	黑
1	Red	紅

IDC-05BFFM-SL6AXX

- XX :01~99Meters
- 01 :01Meter
- 02 :02Meters
- ...
- 99 :99Meters

Cable Length(L):01~99Meters

- Note:
- \*  $\varnothing$  Important Dimension To Check.
  - \* Waterproof Rate: IP66
  - \* Housing: Nylon+GF, Black.
  - \* Female Pin: Copper Alloy, Gold Plated.
  - \* Screw Nut: Nylon+GF, Black.
  - \* O-Ring: Silicone, Gray.
  - \* Cable: UL2464 16AWG\*5C+Talcum, PVC Jacket, UV Resistant, OD=7.8mm, Black.
  - \* Cable Length Tolerance:
    - 01M:±40mm
    - 02M~05M:±60mm
    - 06M~10M:±100mm
    - 11M~30M:±200mm
    - 31M~99M:±500mm

UNIT:mm

TOLERANCE

±0.5 mm

TITLE Large CNC Pin Cable Screw 5Pin F Conn F Pin			
SCALE 1:1	SIZE A4	SHEET 1 OF 1	
REV. A	WC-REV. A.1	$\varnothing$ : Inspection item	

**Amphenol LTW**  
 安費諾亮泰企業股份有限公司

ITEM NO	DRAWN BY Vicky	DATE 2014-01-16
DWG NO IDC-05BFFM-SL6AXX	CHECKED BY Ruru	DATE 2014-01-16
CUSTOMER ALTW	APPROVED BY Victor	DATE 2014-01-16