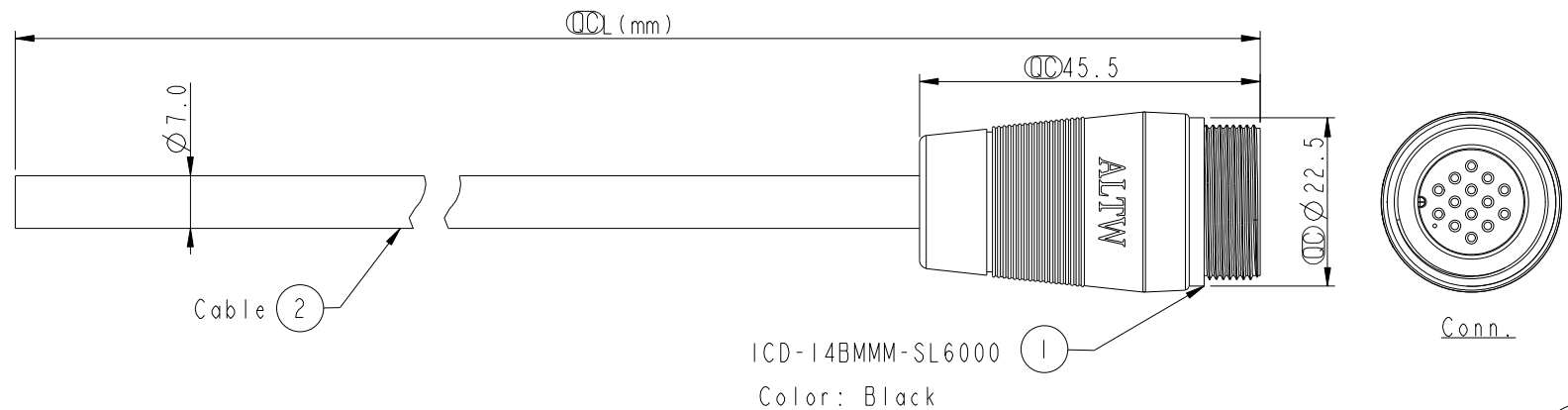


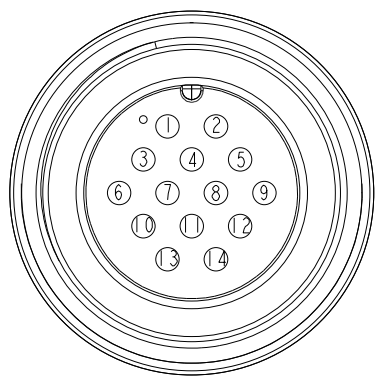
THIS DOCUMENT IS SUBJECT TO CHANGE WITHOUT NOTICE. IT IS CONFIDENTIAL AND A PROPERTY OF Amphenol LTW. DISCLOSURE TO THIRD PARTY HAS TO BE AUTHORIZED BY Amphenol LTW.

REV.	ECN NO.	DATE	SIGN	DESCRIPTION



14	Brown/White	棕/白
13	Black/White	黑/白
12	Light Green	淺綠
11	Purple	紫
10	Orange	橙
9	Black	黑
8	Red	紅
7	Pink	粉紅
6	Gray	灰
5	Yellow	黃
4	Green	綠
3	White	白
2	Blue	藍
1	Brown	棕
Conn.	Wire Color	

Pin Out



Pin Assignments
Front View

ICD-14BMMM-SL6AXX

- XX : 01~99Meters
- 01 : 01Meter
- 02 : 02Meters
- :
- :
- 99 : 99Meters

Cable Length(L): 01~99Meters

- Note:
- * \varnothing Important Dimension To Check.
 - * Waterproof Rate: IP66
 - * Housing: Nylon+GF, Black.
 - * Male Pin: Copper Alloy, Gold Plated.
 - * Cable: UL2464 24AWG*14C+D+AI/Wy PVC Jacket UV Resistant, OD=7.0, Black.
 - * Cable Length Tolerance:
 - 01M: 40mm
 - 02M~05M: ±60mm
 - 06M~10M: ±100mm
 - 11M~30M: ±200mm
 - 31M~99M: ±500mm

UNIT:mm		
TOLERANCE	±0.5	

TITLE MIDDLE CABLE SCREW 14P M CONN M PIN			
SCALE 1:1	SIZE A4	SHEET 1 OF 1	
REV. A	WC-REV. A.1	\varnothing : Inspection item	

Amphenol LTW
安費諾亮泰企業股份有限公司

ITEM NO	DRAWN BY Di_lu	DATE 2013-12-14
DWG NO ICD-14BMMM-SL6AXX	CHECKED BY Mafei	DATE 2013-12-14
CUSTOMER ALTW	APPROVED BY Victor	DATE 2013-12-14