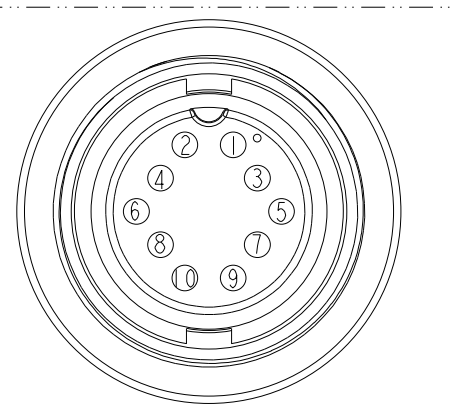
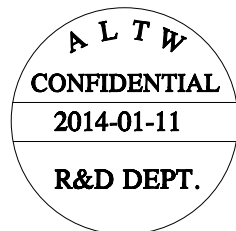
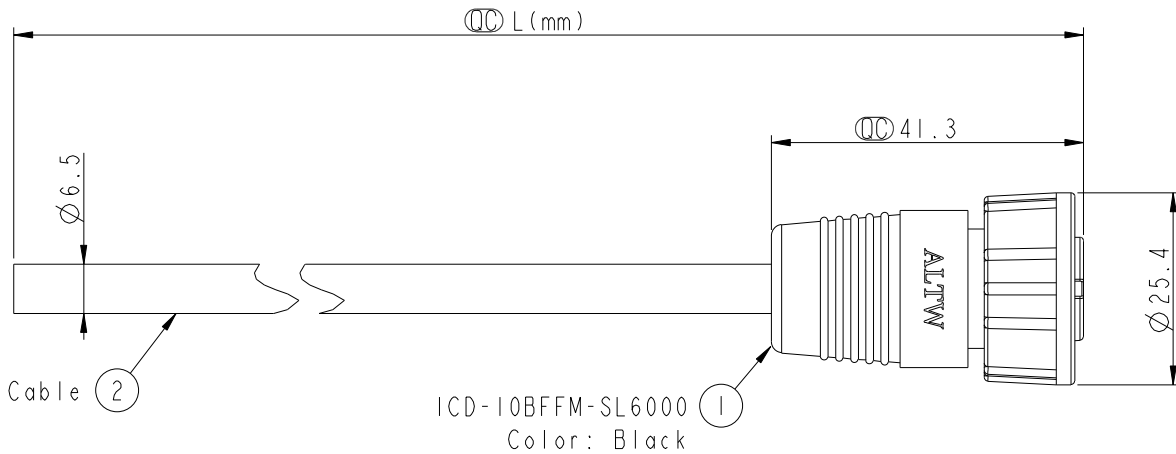


|      |         |      |      |             |
|------|---------|------|------|-------------|
| REV. | ECN NO. | DATE | SIGN | DESCRIPTION |
|      |         |      |      |             |



Pin Assignments  
Front View

|       |            |         |
|-------|------------|---------|
| 10    | Orange     | 橙       |
| 9     | Black      | 黑       |
| 8     | Red        | 紅       |
| 7     | Pink       | 粉紅      |
| 6     | Gray       | 灰       |
| 5     | Yellow     | 黃       |
| 4     | Green      | 綠       |
| 3     | White      | 白       |
| 2     | Blue       | 藍       |
| 1     | Brown      | 棕       |
| Conn. | Wire Color | Pin Out |

ICD-10BFFM-SL6000  
Color: Black

ICD-10BFFM-SL6AXX

- XX : 01~99Meters
- 01 : 01Meter
- 02 : 02Meters
- :
- :
- 99 : 99Meters

Cable Length(L):01~99Meters

- Note:
- \*  $\varnothing$  Important Dimension To Check.
  - \* Waterproof Rate: IP66
  - \* Housing: Nylon+GF, Black.
  - \* Female Pin: Copper Alloy, Gold Plated.
  - \* Screw Nut: Nylon+GF, Black.
  - \* O-Ring: Silicon, Gray
  - \* Cable: UL2464 24AWG\*10C+Drain+Al/My PVC Jacket UV Resistant, OD=6.5, Black.
  - \* Cable Length Tolerance: 01M:40mm  
02M~05M:±60mm  
06M~10M:±100mm  
11M~30M:±200mm  
31M~99M:±500mm

|           |      |  |
|-----------|------|--|
| UNIT:mm   |      |  |
| TOLERANCE | ±0.5 |  |

|   |                |                                 |  |
|---|----------------|---------------------------------|--|
| TITLE<br>MIDDLE CNC PIN<br>CABLE SCREW 10P F CONN F PIN |                |                                 |  |
| SCALE<br>1:1  | SIZE<br>A4     | SHEET<br>1 OF 1                 |  |
| REV.<br>A   | WC-REV.<br>A.2 | $\varnothing$ : Inspection item |  |

**Amphenol LTW**  
安費諾亮泰企業股份有限公司

|                             |                        |                    |
|-----------------------------|------------------------|--------------------|
| ITEM NO                     | DRAWN BY<br>Jiazhen_li | DATE<br>2014-01-11 |
| DWG NO<br>ICD-10BFFM-SL6AXX | CHECKED BY<br>Ruru     | DATE<br>2014-01-11 |
| CUSTOMER<br>ALTW            | APPROVED BY<br>Jerry   | DATE<br>2014-01-11 |

THIS DOCUMENT IS SUBJECT TO CHANGE WITHOUT NOTICE. IT IS CONFIDENTIAL AND A PROPERTY OF Amphenol LTW. DISCLOSURE TO THIRD PARTY HAS TO BE AUTHORIZED BY Amphenol LTW.