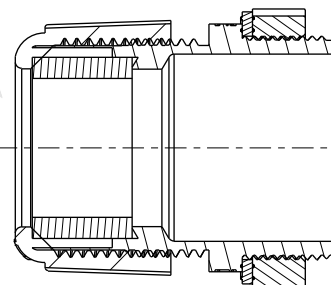
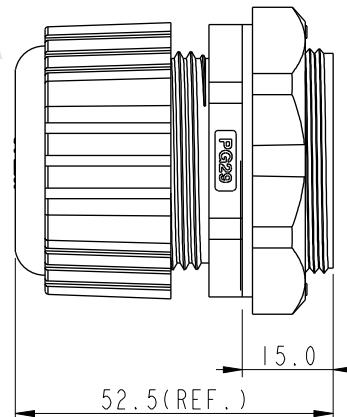
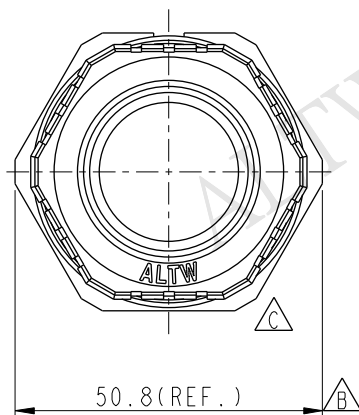
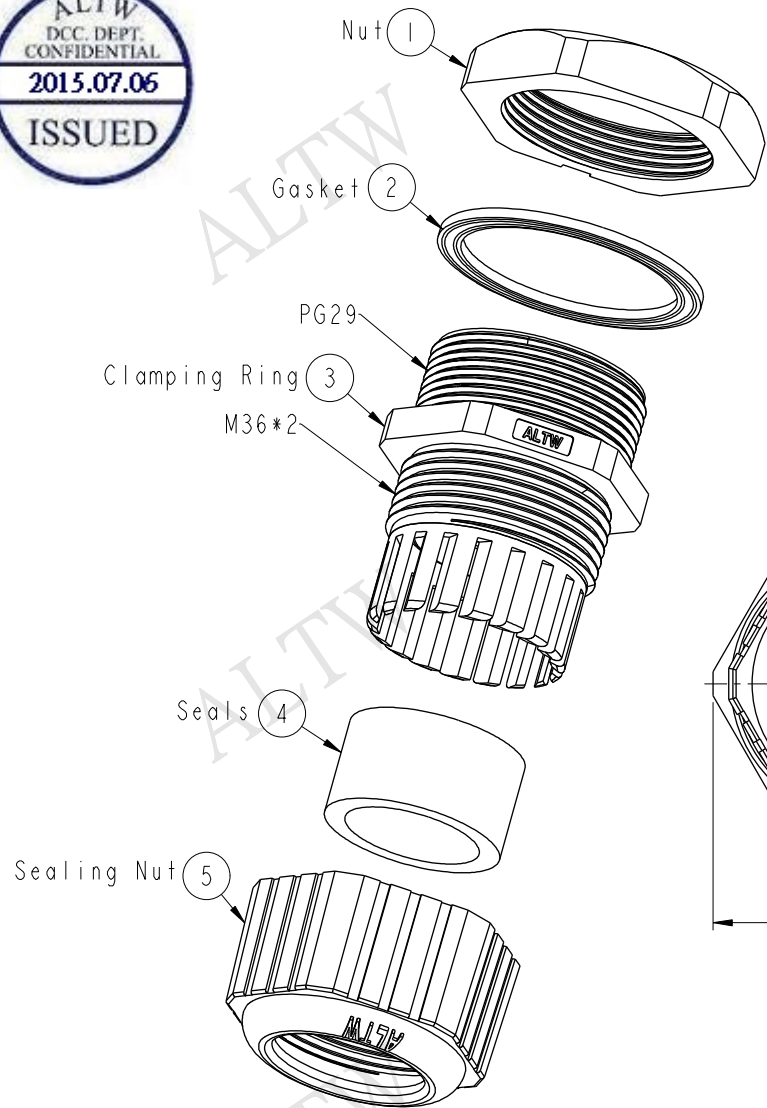
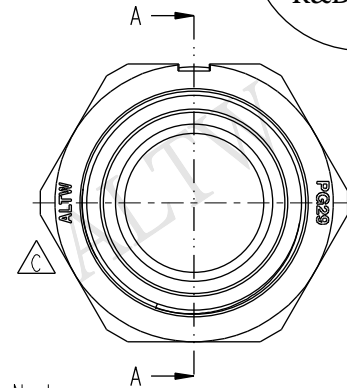
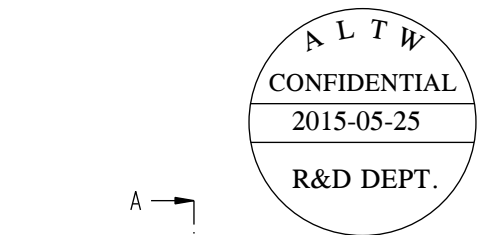
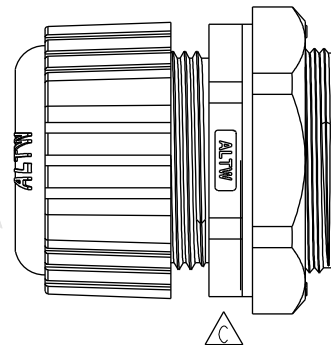




| REV. | ECN NO. | DATE | SIGN | DESCRIPTION |
|------|------------|------------|------|-------------------|
| B | LEN1370116 | 2013/07/04 | Sam | Change Dimension. |
| C | LEN1560406 | 2015/05/26 | Ruru | Change Logo |



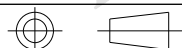
Section A-A



Note:

- * Waterproof Rate: IP68
- * Screw Nut: Nylon, Gray
- * Clamp Ring: Nylon, Gray
- * Sealing Nut: Nylon, Gray
- * Gasket: EPDM, Black
- * Seals: EPDM, Black
- * Cable Range: $\varnothing 16 \sim \varnothing 22$ mm
- * For Panel Thickness: 6.0mm max
- * Spanner Size:
 - Body: 41.0mm
 - Sealing Nut: 42.2mm
 - Screw Nut: 46.0mm

UNIT: mm



| | | | |
|--------------------------------------|----------------|---------------------|--|
| TITLE Cable Gland Assembly (PG29) | | | |
| SCALE 4:5 | SIZE A4 | SHEET 1 OF 1 | |
| REV. C | WC-REV. A.3 | QC: Inspection item | |

Amphenol LTW
安費諾亮泰企業股份有限公司

| | | |
|-----------------------|---------------------|--------------------|
| ITEM NO CSG-29G002 | DRAWN BY Ruru | DATE 2015-05-25 |
| DWG NO CSG-29G002 | CHECKED BY Rita | DATE 2015-05-25 |
| CUSTOMER ALTW | APPROVED BY Lion | DATE 2015-05-25 |

THIS DOCUMENT IS SUBJECT TO CHANGE WITHOUT NOTICE. IT IS CONFIDENTIAL AND A PROPERTY OF Amphenol LTW. DISCLOSURE TO THIRD PARTY HAS TO BE AUTHORIZED BY Amphenol LTW.