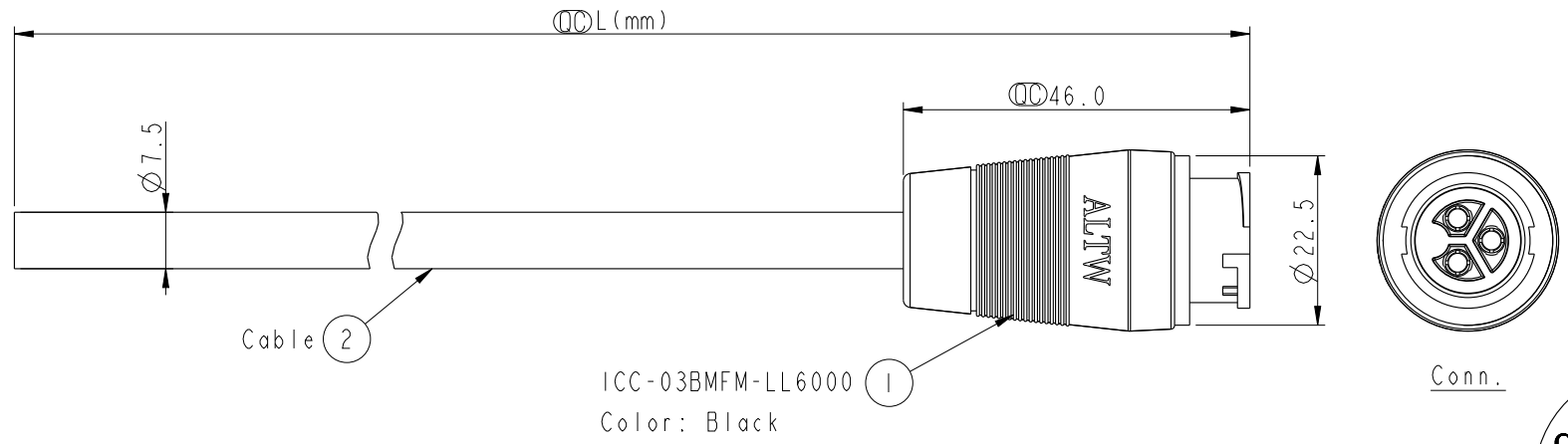
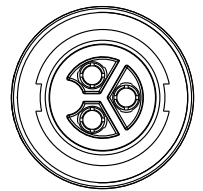


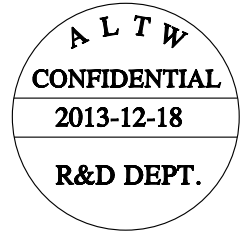
REV.	ECN NO.	DATE	SIGN	DESCRIPTION



ICC-03BMFM-LL6000
Color: Black



Conn.

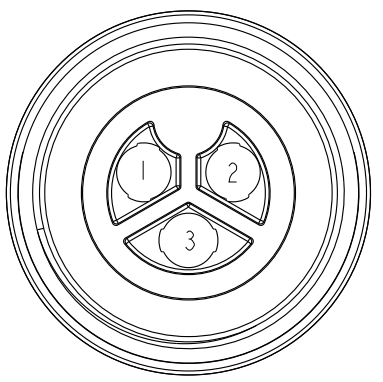


ICC-03BMFM-LL6A XX

- XX : 01~99Meters
- 01 : 01Meter
- 02 : 02Meters
- ...
- 99 : 99Meters

Cable Length(L): 01~99Meters

- Note:
- * \varnothing Important Dimension To Check.
 - * Waterproof Rate: IP66
 - * Housing: Nylon+GF, Black.
 - * Female Pin: Copper Alloy, Gold Plated.
 - * Cable: UL2464 16AWG*3C+D+AI/My
 - * PVC Jacket UV Resistant, OD=7.5, Black.
 - * Cable Length Tolerance:
 - 01M: 40mm
 - 02M~05M: ±60mm
 - 06M~10M: ±100mm
 - 11M~30M: ±200mm
 - 31M~99M: ±500mm



Pin Assignments
Front View

3	Black	黑
2	Blue	藍
1	Brown	棕
Conn.	Wire Color	
Pin Out		

UNIT: mm		
TOLERANCE		
.X	±0.25	
.XX	±0.1	
.XXX	±0.05	
ANGLES	±1°	

TITLE MIDDLE CNC PIN CABLE LOCK 3P M CONN F PIN			
SCALE 1:1	SIZE A4	SHEET 1 OF 1	
REV. A	WC-REV. A.1	\varnothing : Inspection item	

Amphenol LTW
安費諾亮泰企業股份有限公司

ITEM NO	DRAWN BY peter_wang	DATE 2013-12-18
DWG NO ICC-03BMFM-LL6A XX	CHECKED BY Rensong	DATE 2013-12-18
CUSTOMER ALTW	APPROVED BY Victor	DATE 2013-12-18

THIS DOCUMENT IS SUBJECT TO CHANGE WITHOUT NOTICE. IT IS CONFIDENTIAL AND A PROPERTY OF AMPHENOL LTW. DISCLOSURE TO THIRD PARTY HAS TO BE AUTHORIZED BY AMPHENOL LTW.