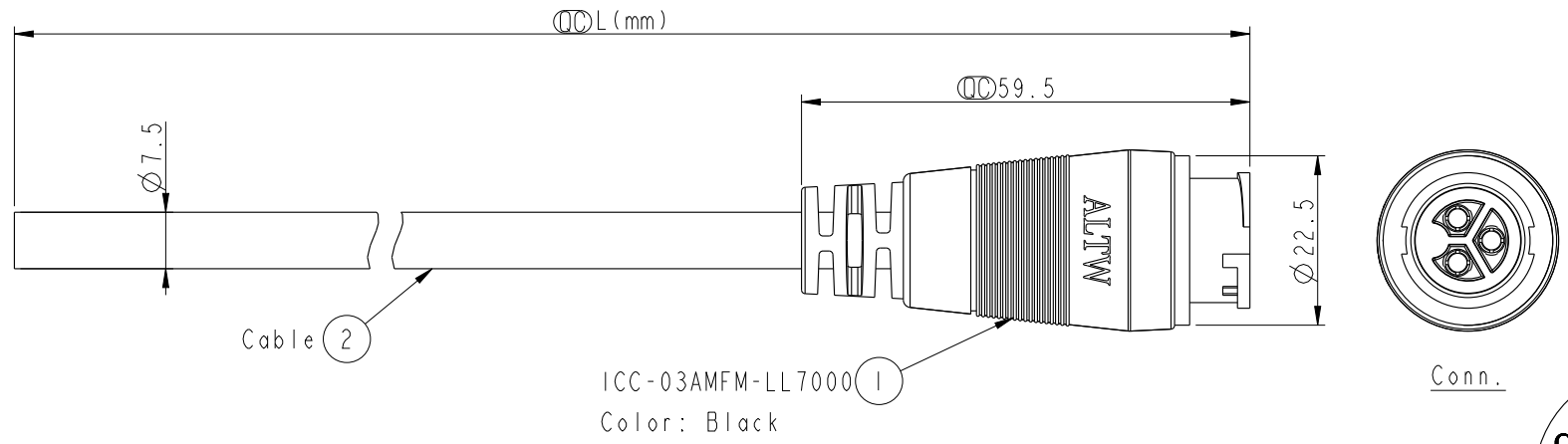
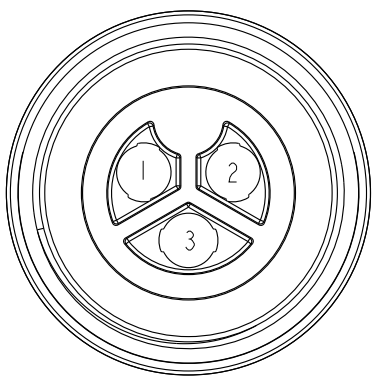
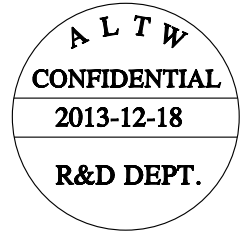


REV.	ECN NO.	DATE	SIGN	DESCRIPTION



ICC-03AMFM-LL7000 (1)
Color: Black



Pin Assignments
Front View

ICC-03AMFM-LL7AXX
 XX : 01~99Meters
 01 : 01Meter
 02 : 02Meters
 ...
 99 : 99Meters
 Cable Length(L): 01~99Meters

- Note:
- * \varnothing Important Dimension To Check.
 - * Waterproof Rate: IP67
 - * Housing: Nylon+GF, Black.
 - * Female Pin: Copper Alloy, Gold Plated.
 - * Cable: UL2464 16AWG*3C+D+AI/My
PVC Jacket UV Resistant, OD=7.5, Black.
 - * Cable Length Tolerance: 01M: 40mm
02M~05M: ±60mm
06M~10M: ±100mm
11M~30M: ±200mm
31M~99M: ±500mm

3	Black	黑
2	Blue	藍
1	Brown	棕
Conn.	Wire Color	
Pin Out		

UNIT: mm

TOLERANCE	
.X	±0.25
.XX	±0.1
.XXX	±0.05
ANGLES	±1°

TITLE MIDDLE CNC PIN CABLE LOCK 3P M CONN F PIN			
SCALE	1:1	SIZE	A4
REV.	A	WC-REV.	A.2
		☉: Inspection item	

Amphenol LTW
安費諾亮泰企業股份有限公司

ITEM NO		DRAWN BY	peter_wang	DATE	2013-12-18
DWG NO	ICC-03AMFM-LL7AXX	CHECKED BY	Rensong	DATE	2013-12-18
CUSTOMER	ALTW	APPROVED BY	Victor	DATE	2013-12-18

THIS DOCUMENT IS SUBJECT TO CHANGE WITHOUT NOTICE. IT IS CONFIDENTIAL AND A PROPERTY OF Amphenol LTW. DISCLOSURE TO THIRD PARTY HAS TO BE AUTHORIZED BY Amphenol LTW.