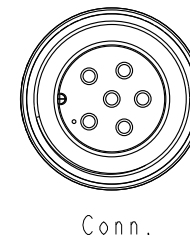
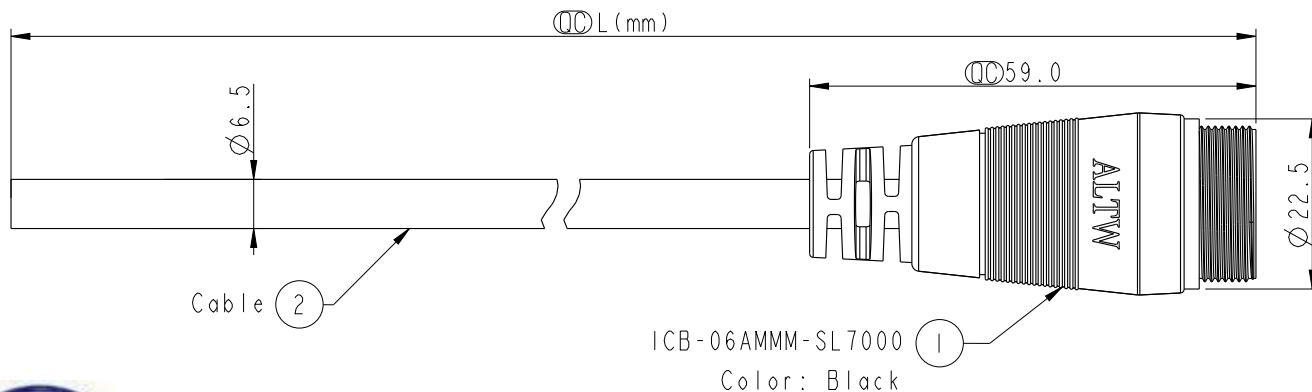
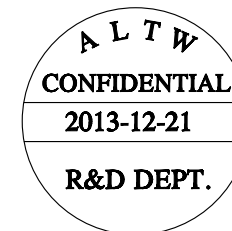


REV.	ECN NO.	DATE	SIGN	DESCRIPTION



Conn.

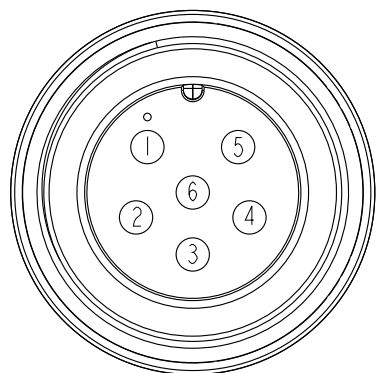


ICB-06AMMM-SL7AXX

XX : 01~99Meters
 01 : 01Meter
 02 : 02Meters

99 : 99Meters

Cable Length(L):01~99Meters



Pin Assignments
Front View

6	Gary	灰
5	Yellow	黃
4	Green	綠
3	White	白
2	Blue	藍
1	Brown	棕
Conn.	Wire Color	

Pin Out

Note:

- * \varnothing Important Dimension To Check.
- * Waterproof Rate: IP67
- * Housing: Nylon+GF, Black.
- * Male Pin: Copper Alloy, Gold Plated.
- * Cable: UL2464 20AWG*6C+D+Al/My
PVC Jacket UV Resistant, OD=6.5, Black.
- * Cable Length Tolerance: 01M:40mm
02M~05M:±60mm
06M~10M:±100mm
11M~30M:±200mm
31M~99M:±500mm

UNIT:mm		
TOLERANCE	±0.5	

TITLE MIDDLE CNC PIN CABLE SCREW 6P M CONN M PIN			
SCALE 1:1	SIZE A4	SHEET 1 OF 1	
REV. A	WC-REV. A.2	\varnothing : Inspection item	

Amphenol LTW
安費諾亮泰企業股份有限公司

ITEM NO	DRAWN BY Tom_gu	DATE 2013-12-21
DWG NO ICB-06AMMM-SL7AXX	CHECKED BY Rensong	DATE 2013-12-21
CUSTOMER ALTW	APPROVED BY Victor	DATE 2013-12-21

THIS DOCUMENT IS SUBJECT TO CHANGE WITHOUT NOTICE. IT IS CONFIDENTIAL AND A PROPERTY OF Amphenol LTW. DISCLOSURE TO THIRD PARTY HAS TO BE AUTHORIZED BY Amphenol LTW.