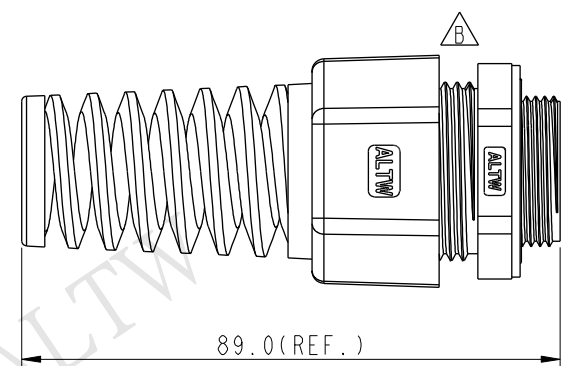
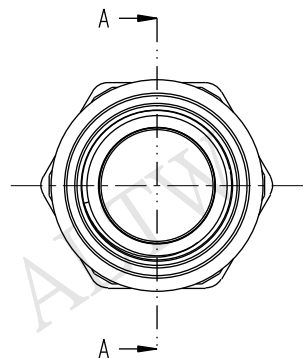
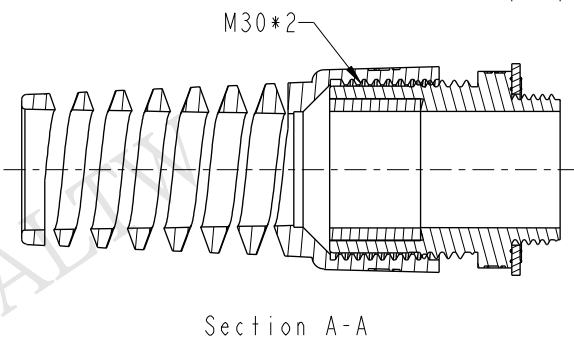
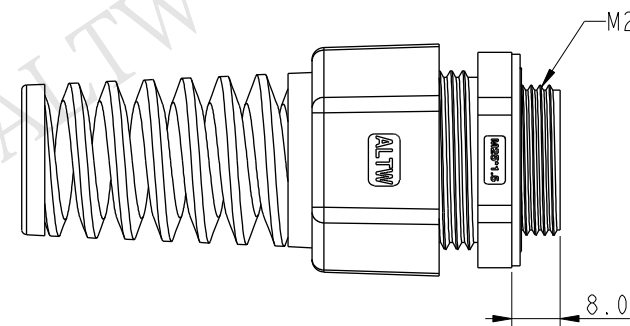
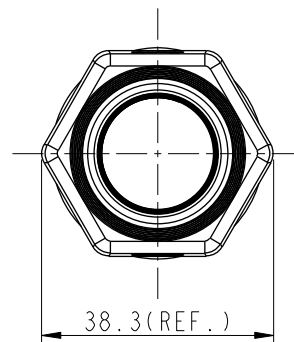
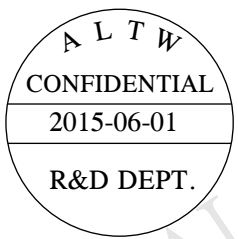
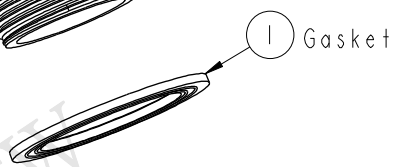
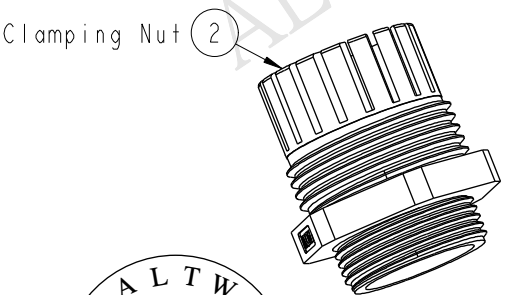
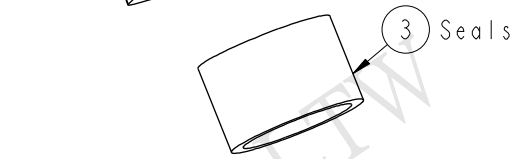
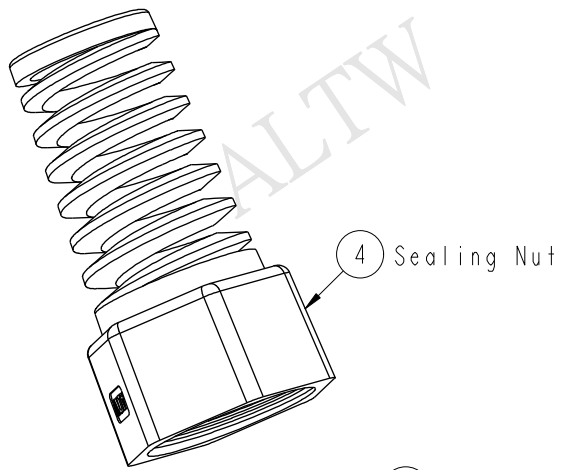


REV.	ECN NO.	DATE	SIGN	DESCRIPTION
B	LEN1560389	2015/06/01	Ruru	Change Logo



- Note:
- * Waterproof Rate: IP68
 - * Screw Nut: Nylon, Gray
 - * Clamp Ring: Nylon, Gray
 - * Sealing Nut: Nylon, Gray
 - * Gasket: EPDM, Black
 - * Seals: EPDM, Black
 - * Cable Range: $\varnothing 18\text{mm} \sim \varnothing 13\text{mm}$
 - * Spanner Size:
 - ② Body: 32.5mm
 - ④ Sealing Nut: 34mm

UNIT: mm	
TOLERANCE	
.X	± 0.25
.XX	± 0.1
.XXX	± 0.05
ANGLES	$\pm 1^\circ$

TITLE M25 Straight with SR			
SCALE 4:5	SIZE A4	SHEET 1 OF 1	
REV. B	WC-REV. A.1	QC: Inspection item	

Amphenol LTW
安費諾亮泰企業股份有限公司

ITEM NO CSG-25M008
DWG NO CSG-25M008
CUSTOMER ALTW

DRAWN BY Ruru	DATE 2015-06-01
CHECKED BY Rita	DATE 2015-06-01
APPROVED BY Lion	DATE 2015-06-01

DATE 2015-06-01
DATE 2015-06-01
DATE 2015-06-01

THIS DOCUMENT IS SUBJECT TO CHANGE WITHOUT NOTICE. IT IS CONFIDENTIAL AND A PROPERTY OF Amphenol LTW. DISCLOSURE TO THIRD PARTY HAS TO BE AUTHORIZED BY Amphenol LTW.