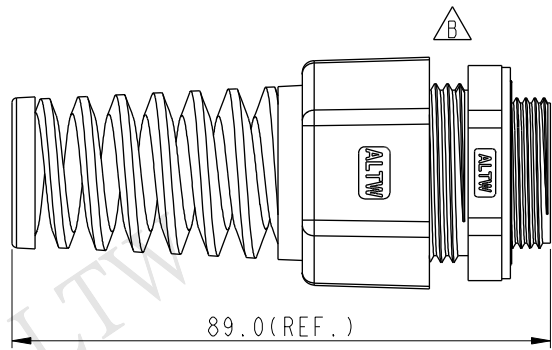
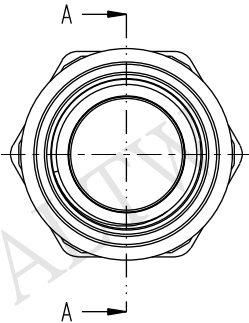
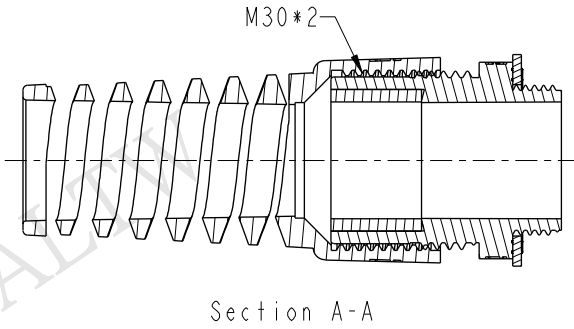
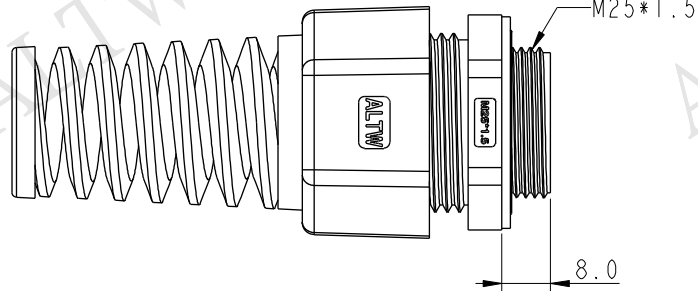
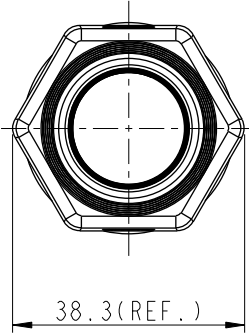
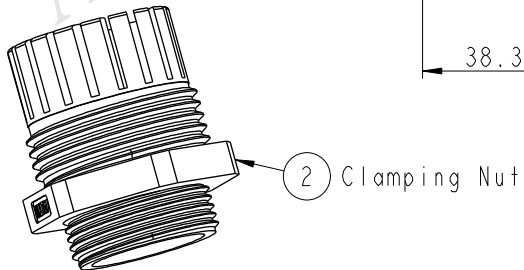
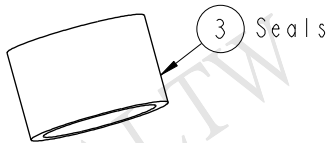
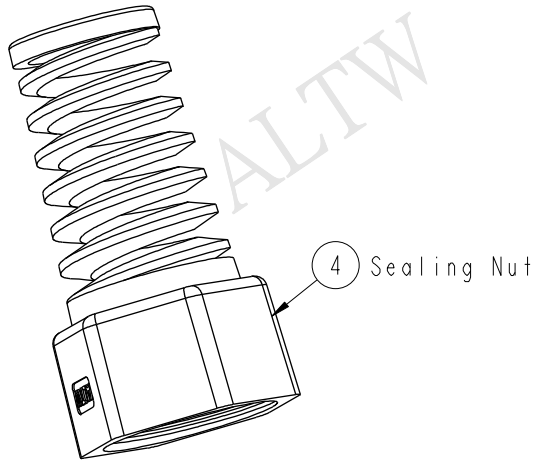


REV.	ECN NO.	DATE	SIGN	DESCRIPTION
B	LEN1560388	2015/06/01	Ruru	Change Logo

ALTW  
CONFIDENTIAL  
2015-06-01  
R&D DEPT.

ALTW  
DCC. DEPT.  
CONFIDENTIAL  
2015.06.29  
ISSUED



- Note:
- \* Waterproof Rate: IP68
  - \* Screw Nut: Nylon, Black
  - \* Clamp Ring: Nylon, Black
  - \* Sealing Nut: Nylon, Black
  - \* Gasket: EPDM, Black
  - \* Seals: EPDM, Black
  - \* Cable Range:  $\varnothing 18\text{mm} \sim \varnothing 13\text{mm}$
  - \* Spanner Size:
    - ② Body: 32.5mm
    - ④ Sealing Nut: 34mm

UNIT: mm		TITLE M25 Straight with SR			ITEM NO CSG-25M007	DRAWN BY Ruru	DATE 2015-06-01
		SCALE 4:5	SIZE A4	SHEET 1 OF 1			
TOLERANCE .X ±0.25 .XX ±0.1 .XXX ±0.05 ANGLES ±1°		REV. B	WC-REV. A.1	QC: Inspection item	CUSTOMER ALTW	APPROVED BY Lion	DATE 2015-06-01

**Amphenol LTW**  
安費諾亮泰企業股份有限公司

THIS DOCUMENT IS SUBJECT TO CHANGE WITHOUT NOTICE. IT IS CONFIDENTIAL AND A PROPERTY OF AMPHENOL LTW. DISCLOSURE TO THIRD PARTY HAS TO BE AUTHORIZED BY AMPHENOL LTW.