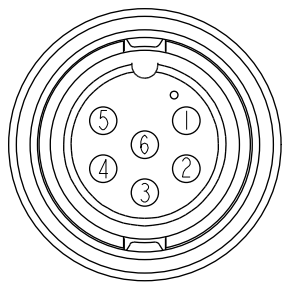
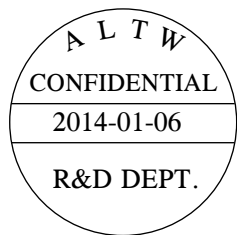
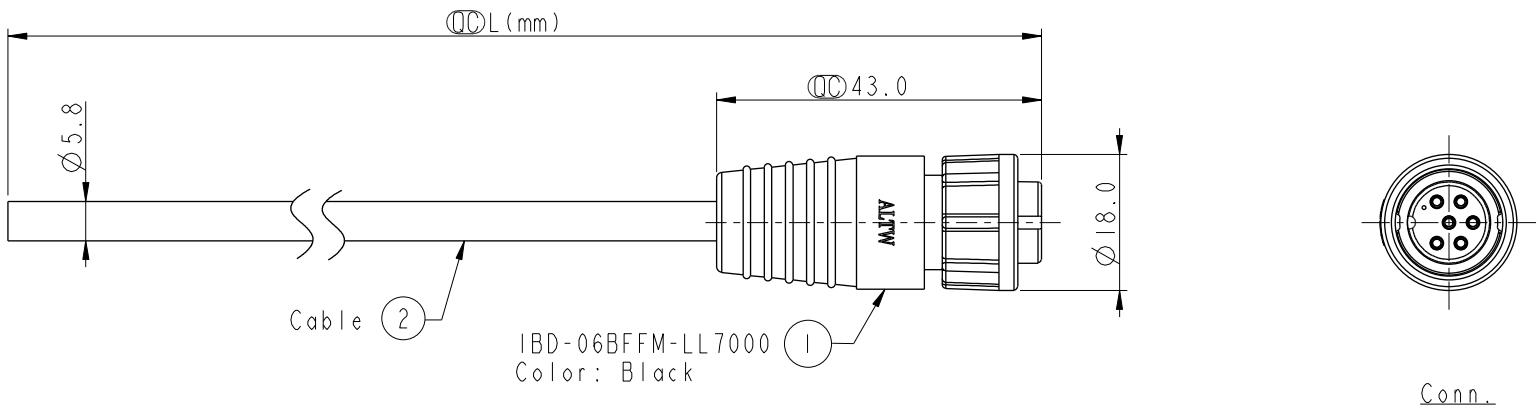


|      |         |      |      |             |   |   |   |
|------|---------|------|------|-------------|---|---|---|
| 1    | 2       | 3    | 4    | 5           | 6 | 7 | 8 |
| REV. | ECN NO. | DATE | SIGN | DESCRIPTION |   |   |   |
|      |         |      |      |             |   |   |   |



Pin Assignments  
Front View

|         |            |   |
|---------|------------|---|
| 6       | White      | 白 |
| 5       | Red        | 紅 |
| 4       | Orange     | 橙 |
| 3       | Yellow     | 黃 |
| 2       | Green      | 綠 |
| 1       | Blue       | 藍 |
| Conn.   | Wire Color |   |
| Pin Out |            |   |

IBD-06BFFM-LL7AXX

↑  
 XX : 01~99Meters  
 01 : 01Meter  
 02 : 02Meters  
 ...  
 99 : 99Meters

Cable Length(L): 01~99Meters

Note:

- \*  $\varnothing$  Important Dimension To Check
- \* Waterproof Rate: IP67
- \* Housing: Nylon+GF, Black
- \* Female Pin: Copper Alloy, Gold Plated
- \* Lock Nut: Nylon+GF, Black
- \* O-Ring: Silicon, Gray
- \* Cable: UL2464 24AWG\*6C+D+AL/My  
PVC Jacket UV Resistant, OD=5.8, Black
- \* Cable Length Tolerance: 01M: ±40mm  
02M~05M: ±60mm  
06M~10M: ±100mm  
11M~30M: ±200mm  
31M~99M: ±500mm

|           |          |
|-----------|----------|
| UNIT:mm   |          |
| TOLERANCE | ± 0.5 mm |

|   |                |                                 |  |
|---|----------------|---------------------------------|--|
| TITLE<br>STANDARD CNC PIN<br>CABLE LOCK 6PIN F CONN F PIN |                |                                 |  |
| SCALE<br>1:1  | SIZE<br>A4     | SHEET<br>1 OF 1                 |  |
| REV.<br>A   | WC-REV.<br>A.1 | $\varnothing$ : Inspection item |  |

**Amphenol LTW**  
安費諾亮泰企業股份有限公司

|                             |                       |                    |
|-----------------------------|-----------------------|--------------------|
| ITEM NO                     | DRAWN BY<br>Ruru      | DATE<br>2014-01-06 |
| DWG NO<br>IBD-06BFFM-LL7AXX | CHECKED BY<br>Tony    | DATE<br>2014-01-06 |
| CUSTOMER<br>ALTW            | APPROVED BY<br>Victor | DATE<br>2014-01-06 |

THIS DOCUMENT IS SUBJECT TO CHANGE WITHOUT NOTICE. IT IS CONFIDENTIAL AND A PROPERTY OF Amphenol LTW. DISCLOSURE TO THIRD PARTY HAS TO BE AUTHORIZED BY Amphenol LTW.