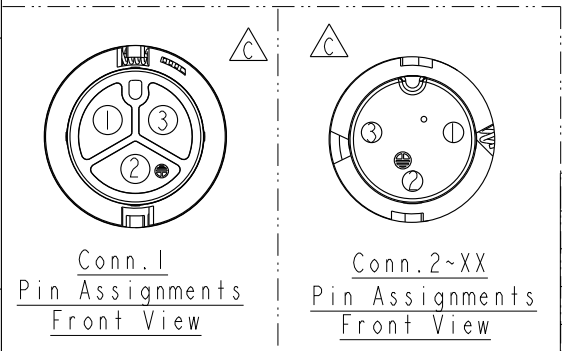
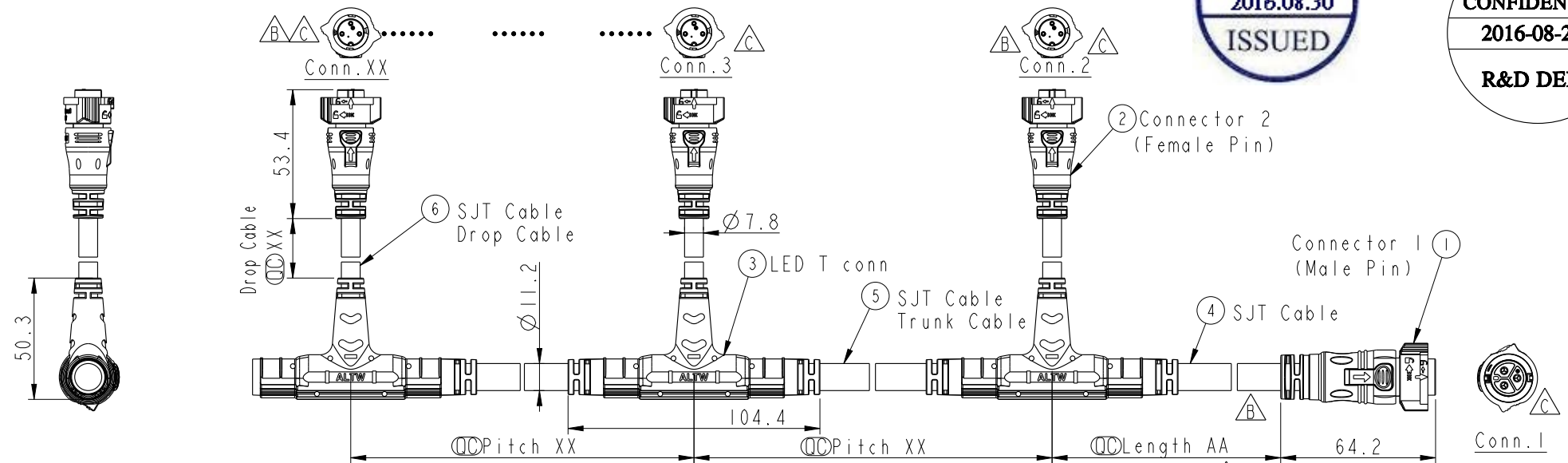
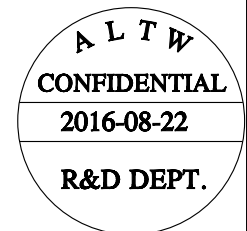


THIS DOCUMENT IS SUBJECT TO CHANGE WITHOUT NOTICE. IT IS CONFIDENTIAL AND A PROPERTY OF AMPHENOL LTW. DISCLOSURE TO THIRD PARTY HAS TO BE AUTHORIZED BY AMPHENOL LTW.

Length AA: AA: 01~99Meters	T CABLE Pitch:XX A0=0.5M A5=1.5M B0=2.0M B5=2.5M Z0=26.0M Z5=26.5M	Drop Cable: XX(0.2~9.9Meters) 02: 0.2Meters : 99: 9.9Meters Tolerance: 0.2M~2M:±30mm 2.1M~5M:±60mm 5.1M~9.9M:±100mm
Tolerance: 01M~05M:±60mm 06M~10M:±100mm 11M~30M:±200mm 31M~99M:±500mm	Tolerance: 0.5M~2M:±20mm 2.5M~5M:±40mm 5.5M~9.5M:±60mm 10M~26.5M:±100mm	

REV.	ECN NO.	DATE	SIGN	DESCRIPTION
A	Initial Release	2014-08-19	Spring	Change Rev.01 To Rev.A
B	LEN1490442	2014-09-23	Spring	update drawing
C	LEN1681344~45	2016-08-22	Spring Liu	Change Housing(Ground Symbol)



T Conn Number(Max:20)	Drop Cable Current Rating
1T	5A
4T	5A
:	:
10T	2A
:	:
Max:20T	1A

1	White	白	1
2	Green	綠	2
3	Red	紅	3
Conn.2~XX	Wire Color		Conn.1
Pin Out			

Note:
 * Ⓞ Important Dimension
 * Pins: Copper Alloy, Gold Plated.
 * Working Voltage Rating: MAX 300V AC
 * Withstanding Voltage: 2000V AC/1min
 * Working Current Rating:
 Trunk Cable 20A(Max); Drop cable 5A(Max)
 * Trunk Cable: SJT 12AWG*3C, PVC Jacket, OD=11.2mm, White
 * Drop Cable: SJT 18AWG*3C, PVC Jacket, OD=7.8mm, White
 * Trunk Cable OD Max: \varnothing 11.2mm
 * Drop Cable OD Max: \varnothing 8.0mm
 * All Parts Plastics To Be UL94-V0

UNIT:mm		TITLE X-Tee(TC) Cable To Cable(Non-W)
TOLERANCE ±0.5	SCALE 2:5	SIZE A4
REV. C	WC-REV. A.2	SHEET 1 OF 1
Ⓞ: Inspection item		

Amphenol LTW 安費諾亮泰企業股份有限公司		ITEM NO	DRAWN BY Spring Liu	DATE 2016-08-22
		DWG NO TC-312XXXX-AXX-NXXX	CHECKED BY Fisher Wang	DATE 2016-08-22
		CUSTOMER ALTW	APPROVED BY Kevin Hu	DATE 2016-08-22

A B C D E F