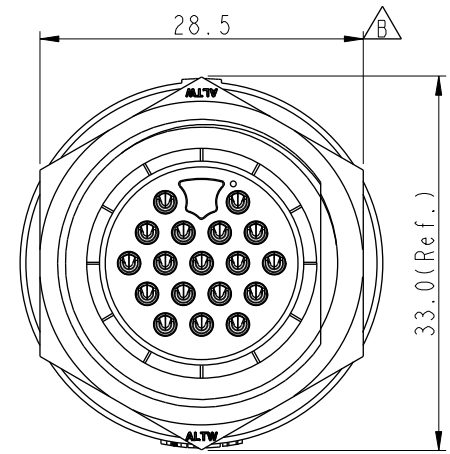
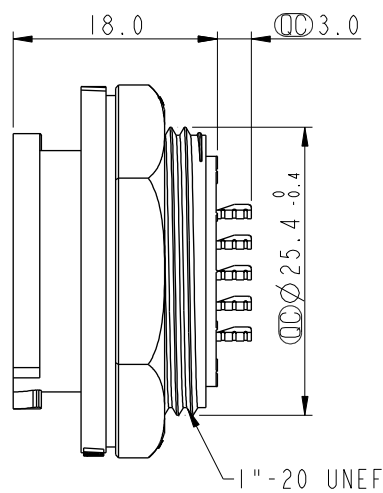
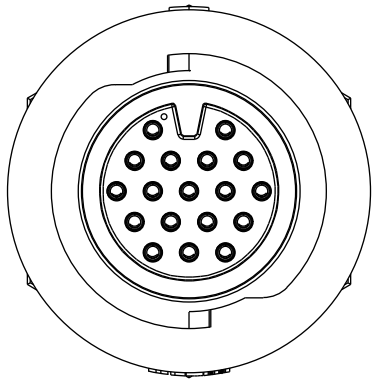


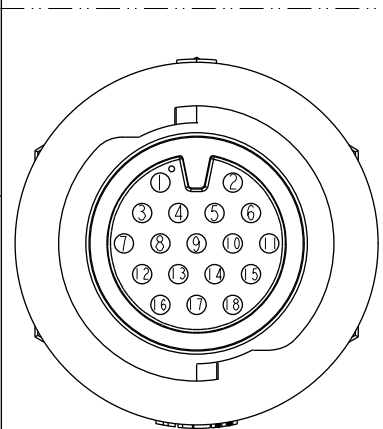
THIS DOCUMENT IS SUBJECT TO CHANGE WITHOUT NOTICE. IT IS CONFIDENTIAL AND A PROPERTY OF AMPHENOL LTW. DISCLOSURE TO THIRD PARTY HAS TO BE AUTHORIZED BY AMPHENOL LTW.

**ALTW**  
**CONFIDENTIAL**  
 2019-03-13  
**R&D DEPT.**

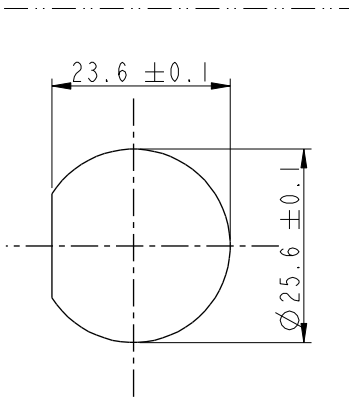
REV.	ECN NO.	DATE	SIGN	DESCRIPTION
B	LEN1660029	2016/05/26	Vicky	Update Nut Dime
C	CI90403	2019/03/13	Vicky	Change Note



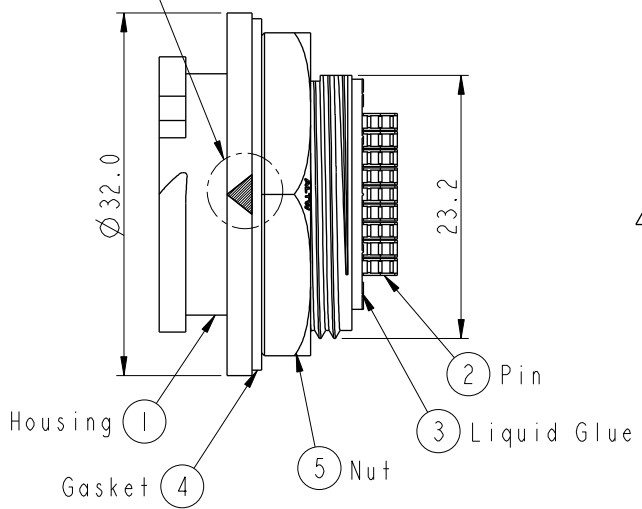
Ⓞ White Printing



Pin Assignments  
Front View



Recommended Panel  
Cut-Out



- △ Note:
- \* Ⓞ Important Dimension To Check.
  - \* Waterproof Rate: IP68, Unmated.  
In 1 meter water within 24 hours
  - \* Housing: Thermoplastic, Black.
  - \* Pin: Copper Alloy, Gold Plated.
  - \* Nut: Thermoplastic, Black.
  - \* Gasket: Rubber, Gray.
  - \* Panel Thickness Max: 3.6mm
  - \* Gasket and Nut are packed separately in PE bags.

UNIT:mm	
TOLERANCE	
.X	±0.25
.XX	±0.1
.XXX	±0.05
ANGLES	±1°

TITLE			
X-Lok D Size			
Receptacle Rear 18P M Conn F Pin			
SCALE	SIZE	SHEET	OF
3:2	A4	1	1
REV.	WC-REV.	Ⓞ: Inspection item	
C	A.3		

**Amphenol LTW**  
**安費諾亮泰企業股份有限公司**

ITEM NO	DD-18RMFS-OC8001	DRAWN BY	Vicky	DATE	2019-03-13
DWG NO	DD-18RMFS-OC8001	CHECKED BY	Rita	DATE	2019-03-13
CUSTOMER	ALTW	APPROVED BY	Max	DATE	2019-03-13