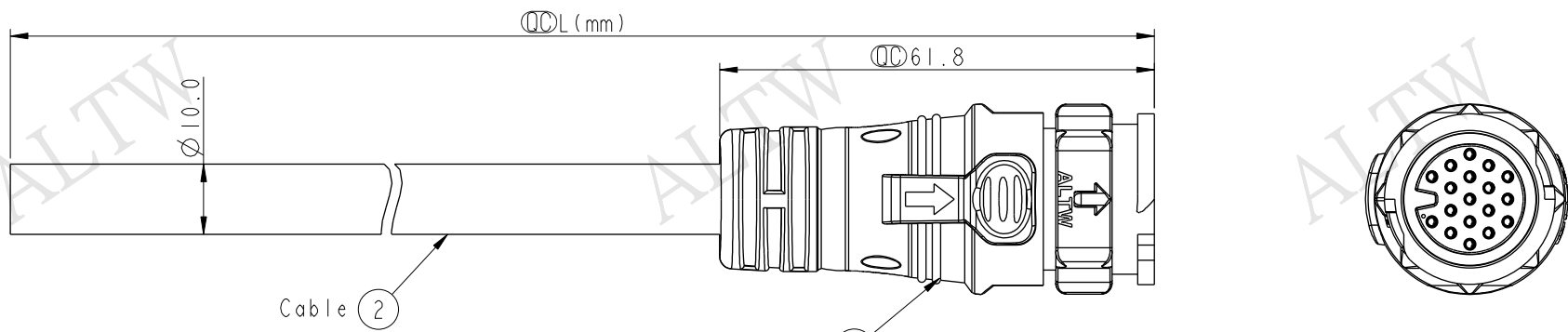
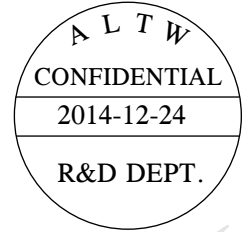


REV.	ECN NO.	DATE	SIGN	DESCRIPTION

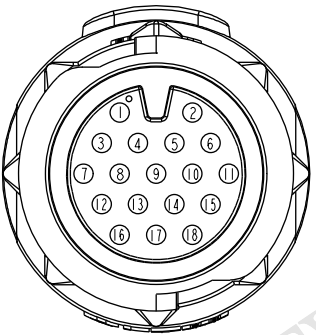


DD-18AMFM-QL8W00 ①  
Color: Black

Conn.



18	Blue/White	藍/白
17	Green/White	綠/白
16	Orange/White	橙/白
15	Red/White	紅/白
14	Brown/White	棕/白
13	Black/White	黑/白
12	Light Green	淡綠
11	Pink	粉紅
10	White	白
9	Gray	灰
8	Purple	紫
7	Blue	藍
6	Green	綠
5	Yellow	黃
4	Orange	橙
3	Red	紅
2	Brown	棕
1	Black	黑
Conn.	Wire Color	Pin Out



Pin Assignments  
Front View

DD-18AMFM-QL8DXX  
 ↑  
 XX : 01~99Meters  
 01 : 01Meter  
 02 : 02Meters  
 ...  
 99 : 99Meters  
 Cable Length(L): 01~99Meters

- Note:
- \* Ⓞ Important Dimension To Check.
  - \* Working Voltage Rating: AC 300 V
  - \* Working Current Rating: 5A
  - \* Flame Class: UL94V-0 (UV Resistance)
  - \* Waterproof Rate: IP68(Mated)
  - \* Housing: Nylon+GF, Black
  - \* Female Pin: Copper Alloy, Gold Plated
  - \* Cable: UL21388 20AWG\*18C+AL.Mylar Black, PVC Jacket UV Resistant, OD=10.0
  - \* Cable Length Tolerance: 01M:±40mm  
02M~05M:±60mm  
06M~10M:±100mm  
11M~30M:±200mm  
31M~99M:±500mm

UNIT:mm TOLERANCE ±0.5

TITLE X-Lok D Size Cable Molding 18Pin M Connector F Pin(5A)			
SCALE 1:1	SIZE A4	SHEET 1 OF 1	
REV. A	WC-REV. A.1	Ⓞ: Inspection item	

**Amphenol LTW**  
安費諾亮泰企業股份有限公司

ITEM NO	DWG NO	CUSTOMER	DRAWN BY Micky	CHECKED BY Spring	APPROVED BY Kevin	DATE 2014-12-24
	DD-18AMFM-QL8DXX	ALTW				2014-12-24
						2014-12-24

THIS DOCUMENT IS SUBJECT TO CHANGE WITHOUT NOTICE. IT IS CONFIDENTIAL AND A PROPERTY OF Amphenol LTW. DISCLOSURE TO THIRD PARTY HAS TO BE AUTHORIZED BY Amphenol LTW.