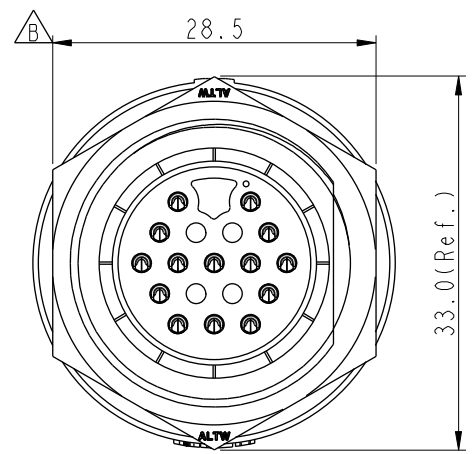
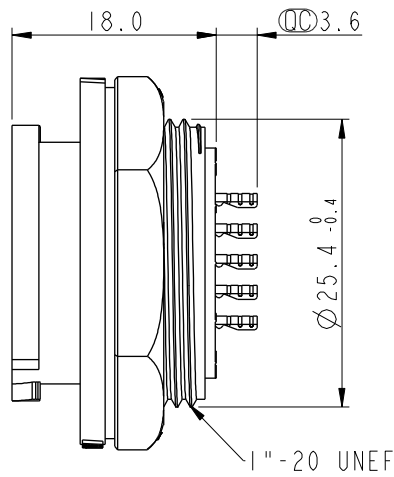
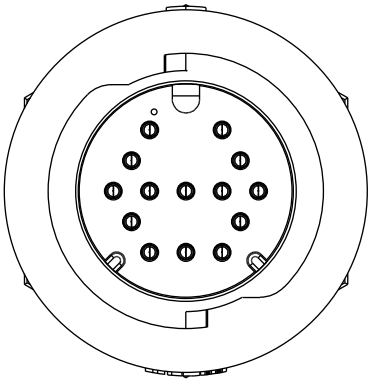
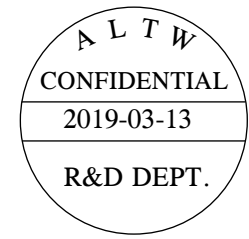
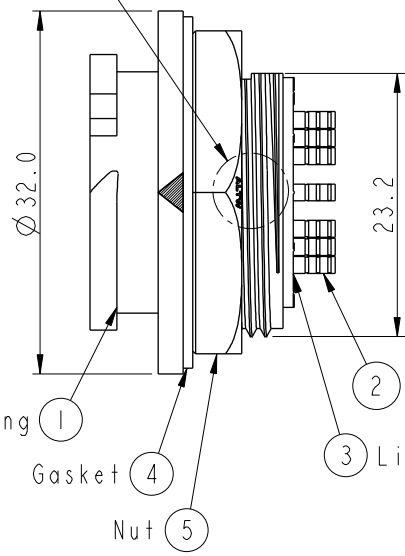


THIS DOCUMENT IS SUBJECT TO CHANGE WITHOUT NOTICE. IT IS CONFIDENTIAL AND A PROPERTY OF AMPHENOL LTW. DISCLOSURE TO THIRD PARTY HAS TO BE AUTHORIZED BY AMPHENOL LTW.

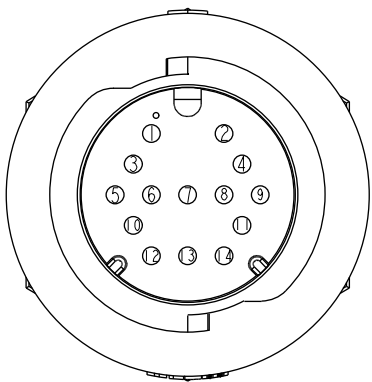
REV.	ECN NO.	DATE	SIGN	DESCRIPTION
B	LEN1660010	2016/05/27	Vicky	Update Nut Dime
C	CI90403	2019/03/13	Vicky	Change Note



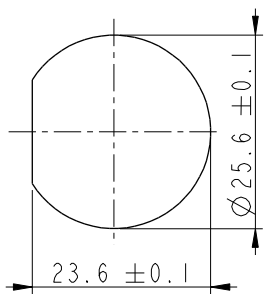
Ⓞ White Printing



- Note:**
- * Ⓞ Important Dimension To Check
 - * Waterproof Rate: IP68, Unmated. In 1 meter water within 24 hours
 - * Housing: Thermoplastic, Black.
 - * Pin: Copper Alloy, Gold Plated.
 - * Nut: Thermoplastic, Black.
 - * Gasket: Rubber, Gray.
 - * Panel Thickness Max: 3.6mm
 - * Gasket and Nut are packed separately in PE bags.



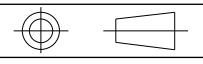
Pin Assignments
Front View



Recommended Panel
Cut-Out

UNIT:mm

TOLERANCE	
.X	±0.25
.XX	±0.1
.XXX	±0.05
ANGLES	±1°



TITLE			
X-Lok D Size Receptacle Rear 14P M Conn M Pin			
SCALE	SIZE	SHEET	OF
3:2	A4	1	1
REV.	WC-REV.	Ⓞ: Inspection item	
C	A.3		

Amphenol LTW
安費諾亮泰企業股份有限公司

ITEM NO	DD-14RMMS-OC8001	DRAWN BY	Vicky	DATE	2019-03-13
DWG NO	DD-14RMMS-OC8001	CHECKED BY	Rita	DATE	2019-03-13
CUSTOMER	ALTW	APPROVED BY	Max	DATE	2019-03-13