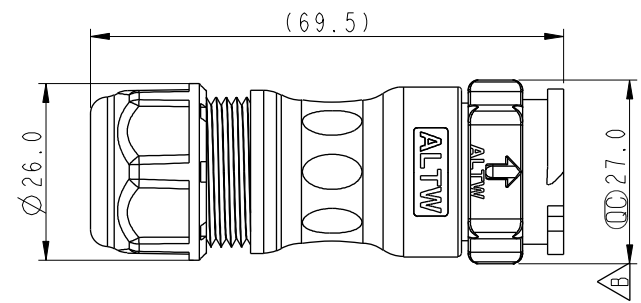
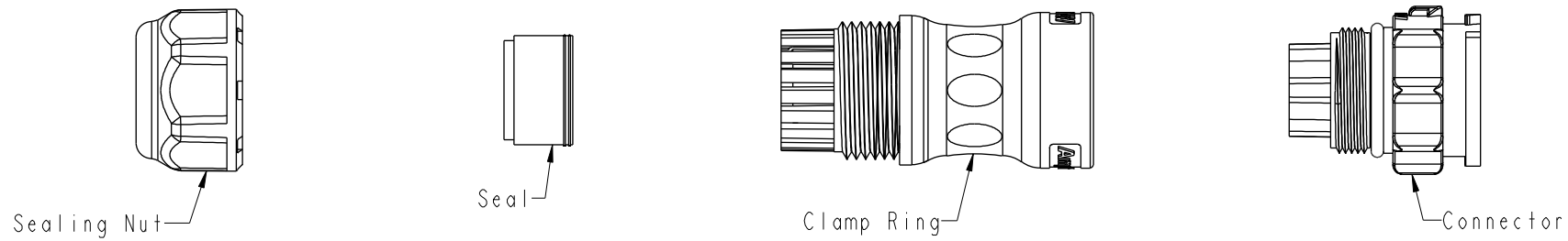


THIS DOCUMENT IS SUBJECT TO CHANGE WITHOUT NOTICE. IT IS CONFIDENTIAL AND A PROPERTY OF Amphenol LTW. DISCLOSURE TO THIRD PARTY HAS TO BE AUTHORIZED BY Amphenol LTW.

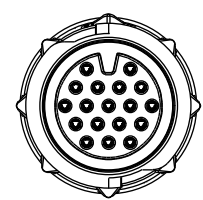
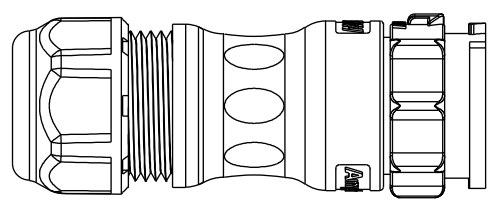
REV.	ECN NO.	DATE	SIGN	DESCRIPTION
B	E191899	2019/11/20	Ruru	$\triangle B$ X4



DD-XXBMFA-QL8XP0

12-12 Pin
14-14 Pin
18-18 Pin

S: With Red Color Seal 1, Cable OD 6.0~8.0mm.
M: With Yellow Color Seal 2, Cable OD 8.0~10.0mm.
L: With Blue Color Seal 3, Cable OD 10.0~12.0mm.
A: With Seal 1 & Seal 2 & Seal 3.



- $\triangle B$ Note:
- * \varnothing Important Dimension
 - * Waterproof Rate: IP68, Mated
IP68 : 1M Depth Of Water In 24hours
 - * Housing: Thermoplastic, Black
 - * Pin: Copper Alloy, Gold Plated
 - * Clamp Ring: Thermoplastic, Black
 - * Sealing Nut: Thermoplastic, Black
 - * Seals: Rubber

Pin Assignments Front View	12 Pin	14 Pin	18 Pin

UNIT:mm TOLERANCE ± 0.5 mm	TITLE XLOK, D-5A, CABLE W/O SR M, F, FI CRIMP, XLOK $\triangle B$		<h1>Amphenol LTW</h1> <p>安費諾亮泰企業股份有限公司</p>		ITEM NO	DRAWN BY Ruru	DATE 2019-11-20		
	SCALE 1:1				SIZE A4	SHEET 1	DWG NO DD-XXBMFA-QL8XP0 $\triangle B$	CHECKED BY Rita	DATE 2019-11-20
	REV. B				WC-REV. .0	\varnothing : Inspection item	CUSTOMER ALTW	APPROVED BY Max	DATE 2019-11-20