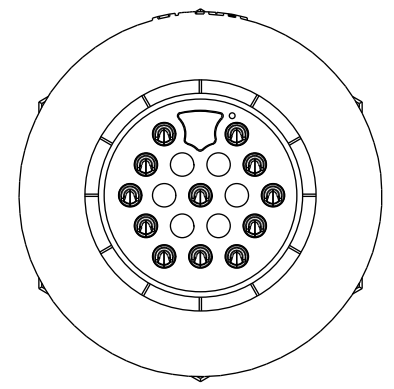
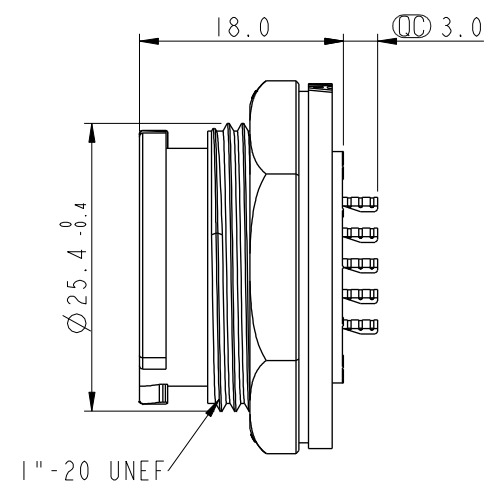
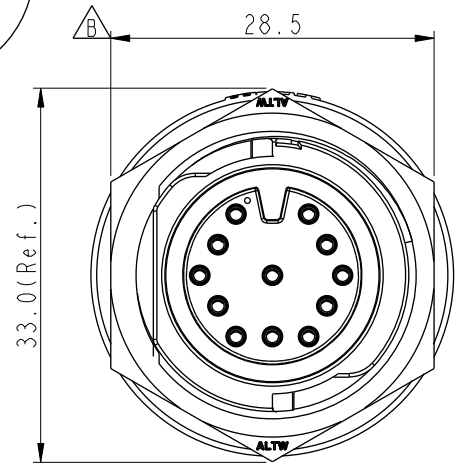


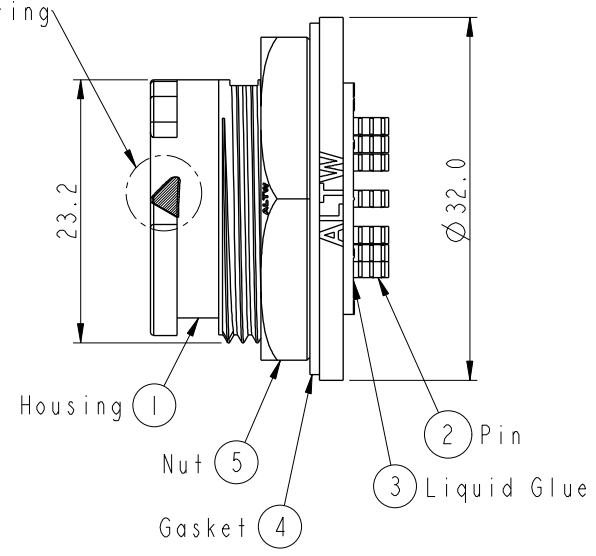
THIS DOCUMENT IS SUBJECT TO CHANGE WITHOUT NOTICE. IT IS CONFIDENTIAL AND A PROPERTY OF Amphenol LTW. DISCLOSURE TO THIRD PARTY HAS TO BE AUTHORIZED BY Amphenol LTW.

REV.	ECN NO.	DATE	SIGN	DESCRIPTION
B	LEN1660005	2016/05/27	Vicky	Update Nut Dime
C	CI90403	2019/03/12	Vicky	Change Note

**ALTW**  
**CONFIDENTIAL**  
 2019-03-12  
**R&D DEPT.**

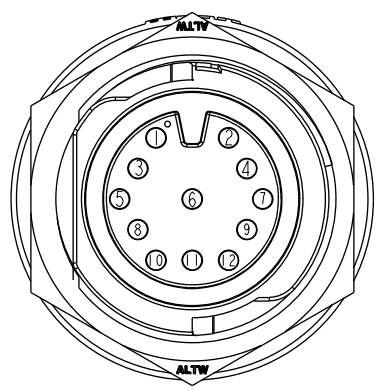


☉ White Printing

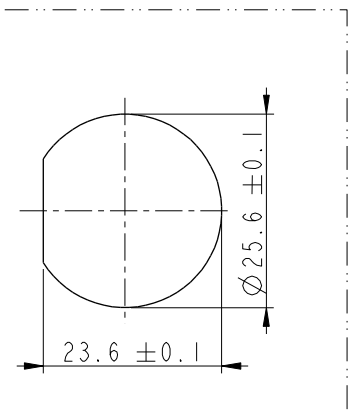


△ Note:

- \* ☉ Important Dimension To Check
- \* Waterproof Rate: IP68, Unmated.  
In 1 meter water within 24 hours
- \* Housing: Thermoplastic, Black.
- \* Pin: Copper Alloy, Gold Plated.
- \* Nut: Thermoplastic, Black.
- \* Gasket: Rubber, Gray.
- \* Use Without Waterproof Cap  
Panel Thickness Max: 3.6mm
- \* Use With Waterproof Cap  
Panel Thickness Max: 2.6mm
- \* Gasket and Nut are packed separately  
in PE bags.



Pin Assignments  
Front View



Recommended Panel  
Cut-Out

UNIT: mm		
TOLERANCE	.X ±0.25	
.XX ±0.1		
.XXX ±0.05		
ANGLES	±1°	

TITLE			
X-Lok D Size			
Receptacle Front 12P M Conn F Pin			
SCALE	SIZE	SHEET	OF
3:2	A4	1	1
REV.	WC-REV.	☉ Inspection item	
C	A.3		

**Amphenol LTW**  
**安費諾亮泰企業股份有限公司**

ITEM NO	DD-12PMFS-OC8001	DRAWN BY	Vicky	DATE	2019-03-12
DWG NO	DD-12PMFS-OC8001	CHECKED BY	Rita	DATE	2019-03-12
CUSTOMER	ALTW	APPROVED BY	Max	DATE	2019-03-12