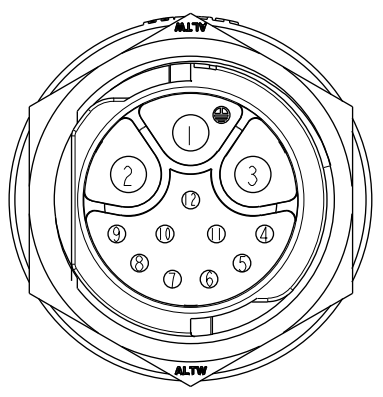
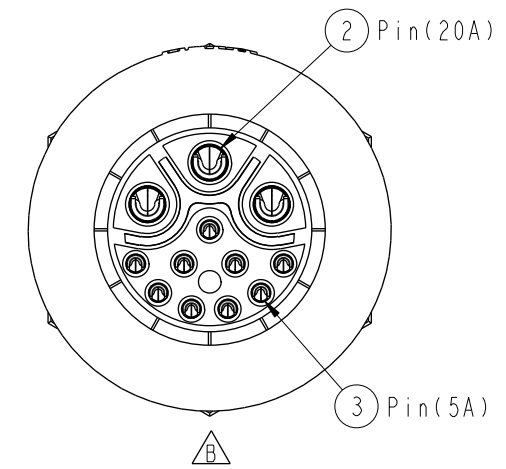
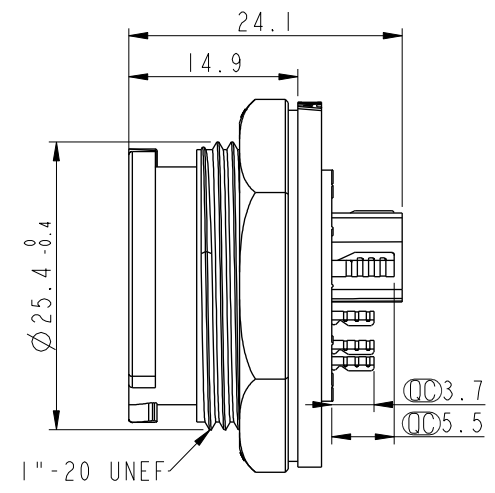
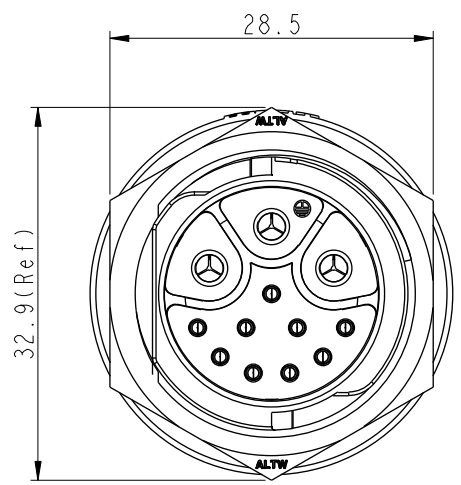


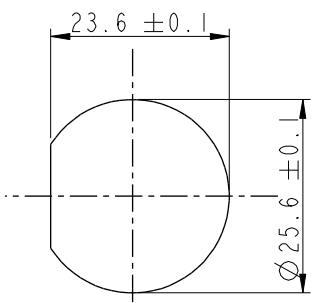
THIS DOCUMENT IS SUBJECT TO CHANGE WITHOUT NOTICE. IT IS CONFIDENTIAL AND A PROPERTY OF AMPHENOL LTW. DISCLOSURE TO THIRD PARTY HAS TO BE AUTHORIZED BY AMPHENOL LTW.

ALTW
CONFIDENTIAL
2019-03-15
R&D DEPT.

REV.	ECN NO.	DATE	SIGN	DESCRIPTION
A	Initial Release	2016/04/25	Spring	Change Rev.01 To Rev.A
B	LEN1850059	2018/05/05	Frank	Update Drawing
C	CI90403	2019/03/15	Vicky	Change Note

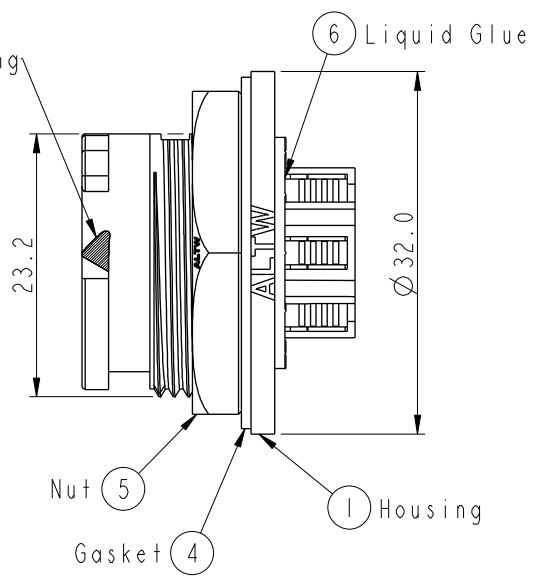


Pin Assignments
Front View



Recommended Panel
Cut-Out

☉ White Printing



△ Note:

- * ☉ Important Dimension To Check.
- * Waterproof Rate: IP68, Unmated. In 1 meter water within 24 hours
- * Housing: Thermoplastic, Black.
- * Pin: Copper Alloy, Gold Plated.
- * Nut: Thermoplastic, Black.
- * Gasket: Rubber, Gray.
- * Use without waterproof cap
Panel Thickness Max: 3.6mm
- * Use with waterproof cap
Panel Thickness Max: 2.6mm
- * Gasket and Nut are packed separately in PE bags.

UNIT:mm	
TOLERANCE	
.X	±0.25
.XX	±0.1
.XXX	±0.05
ANGLES	±1°

TITLE X-Lok D Size Hybrid 3 Male Pin+ 09 Male Pin			
SCALE 3:2	SIZE A4	SHEET 1 OF 1	
REV. C	WC-REV. A.3	☉ Inspection item	

Amphenol LTW
安費諾亮泰企業股份有限公司

ITEM NO DCD-12PMMS-QC8001	DRAWN BY Vicky	DATE 2019-03-15
DWG NO DCD-12PMMS-QC8001	CHECKED BY Rita	DATE 2019-03-15
CUSTOMER ALTW	APPROVED BY Max	DATE 2019-03-15