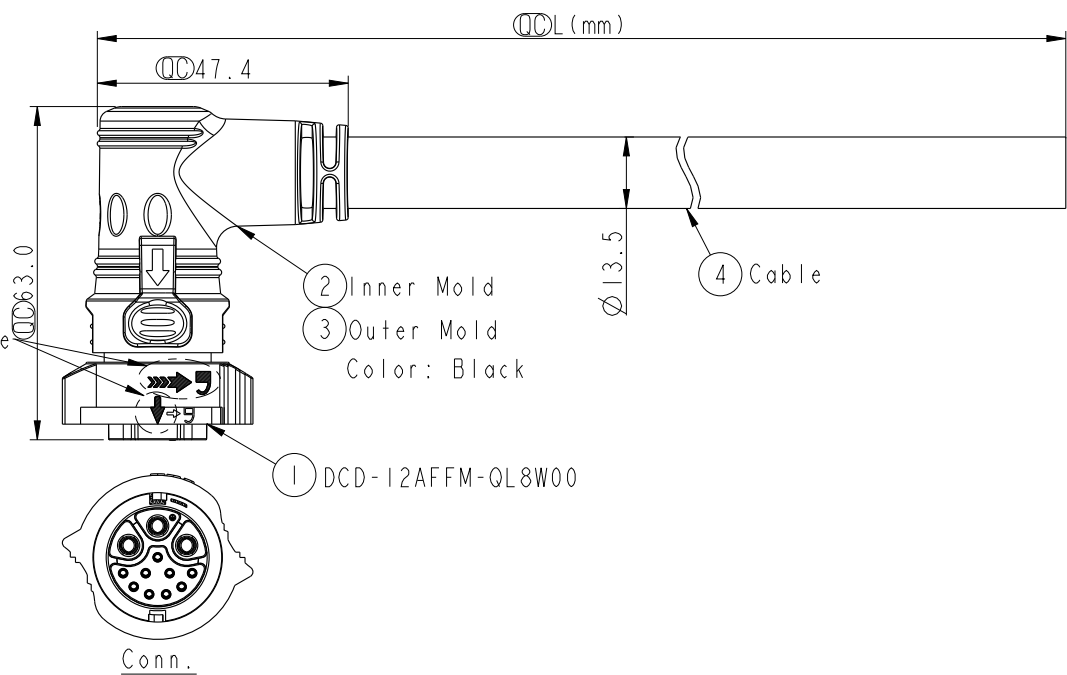
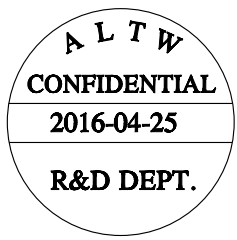


REV.	ECN NO.	DATE	SIGN	DESCRIPTION
A	Initial Release	2016-04-25	Spring	Change Rev.01 To Rev.A

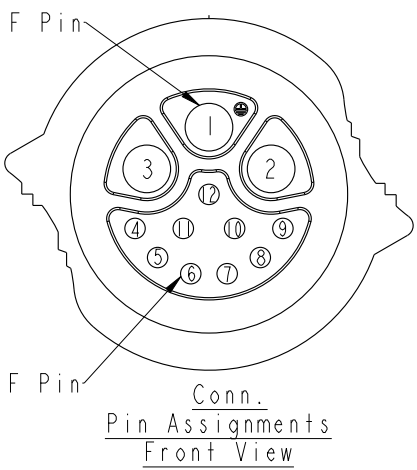


Printing White  
白色印刷



Note:

- \*  $\varnothing$  Important Dimension To Check.
- \* Waterproof Rate: IP68(Mated, 1M/24hr)
- \* Working Voltage Rating:  
Power AC/DC 300V  
Data DC 30V
- \* Working Current:  
Power: 20A  
Data: 05A
- \* Housing: Nylon+GF, Black
- \* Female Pin: Copper Alloy, Gold & Ni Plated
- \* Cable: UL21996 3C\*12AWG+(26#\*4P+D+AL)+F+AL/MY, PVC Jacket, OD=13.5, Black.
- \* Cable Length Tolerance: 01M:±40mm  
02M~05M:±60mm  
06M~10M:±100mm  
11M~30M:±200mm  
31M~99M:±500mm



12	Drain	(26AWG)	地線	
11	Gray	(26AWG)	灰	Twist 對線
10	Yellow	(26AWG)	黃	
9	Orange	(26AWG)	橘	Twist 對線
8	Violet	(26AWG)	紫	
7	Blue	(26AWG)	藍	Twist 對線
6	Red	(26AWG)	紅	
5	Green	(26AWG)	綠	Twist 對線
4	White	(26AWG)	白	
3	Black	(12AWG)	黑	
2	White	(12AWG)	白	
1	Green	(12AWG)	綠	
Conn.	Wire Color			
Pin Out				

DCD-12AFFM-QR8FXX  
 XX : 01~99Meters  
 01 : 01Meter  
 02 : 02Meters  
 :  
 :  
 99 : 99Meters  
 Cable Length(L): 01~99Meters

UNIT:mm  
 TOLERANCE ±0.5

TITLE X-Lok D Size Cable Molding 12 Pin F Connector F Pin			
SCALE 7:10	SIZE A4	SHEET 1 OF 1	
REV. A	WC-REV. A.2	$\varnothing$ : Inspection item	

**Amphenol LTW**  
 安費諾亮泰企業股份有限公司

ITEM NO	DRAWN BY Spring	DATE 2016-04-25
DWG NO DCD-12AFFM-QR8FXX	CHECKED BY Fisher	DATE 2016-04-25
CUSTOMER ALTW	APPROVED BY Kevin	DATE 2016-04-25

THIS DOCUMENT IS SUBJECT TO CHANGE WITHOUT NOTICE. IT IS CONFIDENTIAL AND A PROPERTY OF AMPHENOL LTW. DISCLOSURE TO THIRD PARTY HAS TO BE AUTHORIZED BY AMPHENOL LTW.