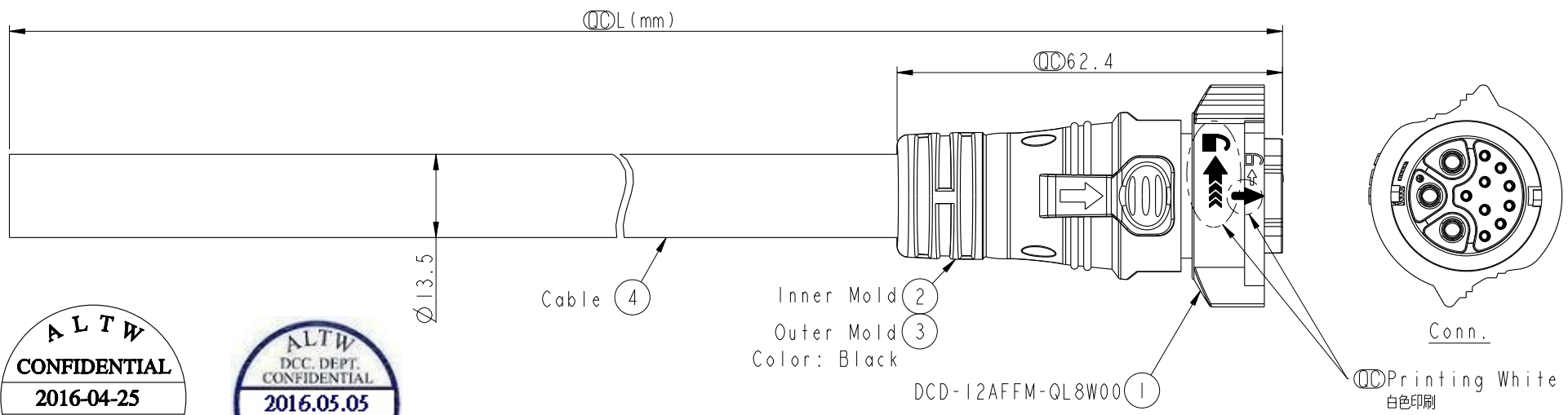
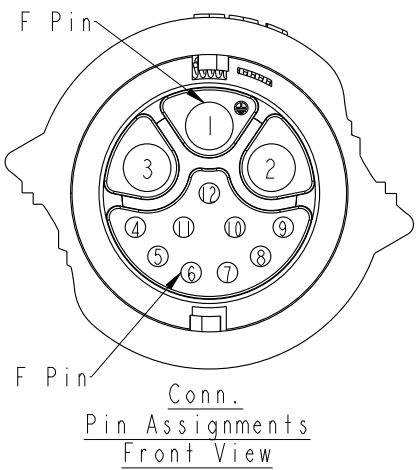


REV.	ECN NO.	DATE	SIGN	DESCRIPTION
A	Initial Release	2016-04-25	Spring	Change Rev.01 To Rev.A



ALTW
CONFIDENTIAL
2016-04-25
R&D DEPT.

ALTW
DCC. DEPT.
CONFIDENTIAL
2016.05.05
ISSUED



12	Drain (26AWG)	地線	
11	Gray (26AWG)	灰	Twist 對線
10	Yellow (26AWG)	黃	
9	Orange (26AWG)	橘	Twist 對線
8	Violet (26AWG)	紫	
7	Blue (26AWG)	藍	Twist 對線
6	Red (26AWG)	紅	
5	Green (26AWG)	綠	Twist 對線
4	White (26AWG)	白	
3	Black (12AWG)	黑	
2	White (12AWG)	白	
1	Green (12AWG)	綠	
Conn.	Wire Color		
	Pin Out		

DCD-12AFFM-QL8FXX
 XX : 01~99Meters
 01 : 01Meter
 02 : 02Meters
 :
 :
 99 : 99Meters
 Cable Length(L): 01~99Meters

Note:
 * \varnothing Important Dimension To Check.
 * Waterproof Rate: IP68(Mated, 1M/24hr)
 * Working Voltage Rating:
 Power AC/DC 300V
 Data AC 30V
 * Working Current:
 Power: 20A
 Data: 05A
 * Housing: Nylon+GF, Black
 * Female Pin: Copper Alloy, Gold & Ni Plated
 * Cable: UL21996 3C*12AWG+(26#*4P+D+AL)+F+AL/MY, PVC Jacket, OD=13.5, Black.
 * Cable Length Tolerance: 01M:±40mm
 02M~05M:±60mm
 06M~10M:±100mm
 11M~30M:±200mm
 31M~99M:±500mm

UNIT:mm
 TOLERANCE ±0.5

TITLE X-Lok D Size Cable Molding 12 Pin F Connector F Pin			
SCALE 1:1	SIZE A4	SHEET 1 OF 1	
REV. A	WC-REV. A.2	\varnothing : Inspection item	

Amphenol LTW
 安費諾亮泰企業股份有限公司

ITEM NO	DRAWN BY Spring	DATE 2016-04-25
DWG NO DCD-12AFFM-QL8FXX	CHECKED BY Fisher	DATE 2016-04-25
CUSTOMER ALTW	APPROVED BY Kevin	DATE 2016-04-25

THIS DOCUMENT IS SUBJECT TO CHANGE WITHOUT NOTICE. IT IS CONFIDENTIAL AND A PROPERTY OF Amphenol LTW. DISCLOSURE TO THIRD PARTY HAS TO BE AUTHORIZED BY Amphenol LTW.