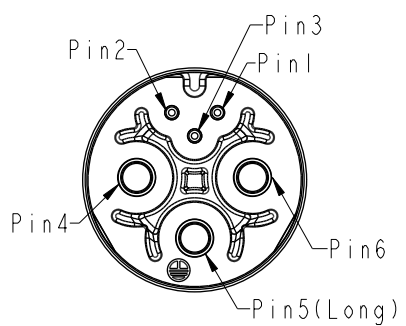
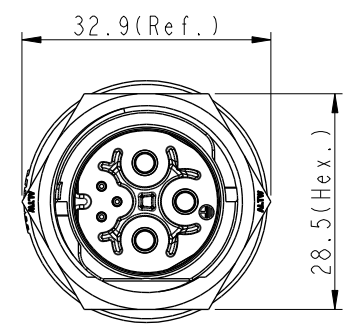
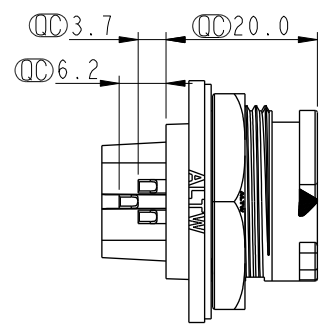
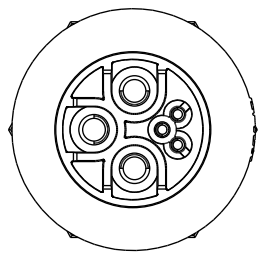


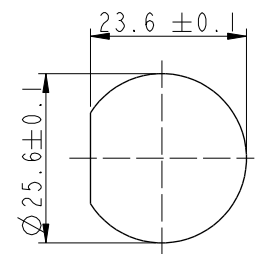
THIS DOCUMENT IS SUBJECT TO CHANGE WITHOUT NOTICE. IT IS CONFIDENTIAL AND A PROPERTY OF Amphenol LTW. DISCLOSURE TO THIRD PARTY HAS TO BE AUTHORIZED BY Amphenol LTW.

REV.	ECN NO.	DATE	SIGN	DESCRIPTION
A		2021/10/01	Ruru	Initial Released

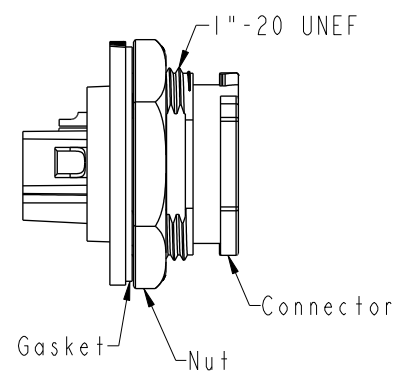
DCD-XXPMMS-QC8001  
 XX: No. Of Pin



Pin Assignment  
Front View



Recommended  
Panel Cut-Out



- Note:
- \* RoHS Compliant
  - \*  $\varnothing$  Important dimension
  - \* Waterproof rate: IPX8, unmated 1m/24h
  - \* Connector
  - Housing: Thermoplastic, Black
  - Pin: Copper alloy, Gold plated
  - \* Gasket: Rubber, Dark Gray
  - \* Nut: Thermoplastic, Black
  - \* Use With Waterproof Cap  
For Panel Thickness Max: 2.6mm
  - \* Use Without Waterproof Cap  
For Panel Thickness Max: 3.6mm
  - \* Gasket and nut are packed separately in pe bag

UNIT:mm		
TOLERANCE		
.X	±0.25	
.XX	±0.1	
.XXX	±0.05	
ANGLES	±1°	

TITLE XLOK, D-20A+5A, FRONT FASTENED M, M, SOLDER, PUSH LOCK			
SCALE 1:1	SIZE A4	SHEET 1 OF 1	
REV. A	WC-REV. .0	$\varnothing$ : Inspection item	

**Amphenol LTW**  
 安費諾亮泰企業股份有限公司

ITEM NO.	DRAWN BY Ruru	DATE 2021-10-01
DWG NO. DCD-XXPMMS-QC8001	CHECKED BY Rita	DATE 2021-10-01
CUSTOMER ALTW	APPROVED BY Max	DATE 2021-10-01