

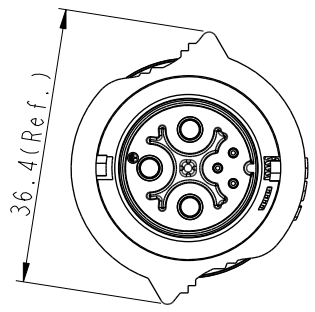
THIS DOCUMENT IS SUBJECT TO CHANGE WITHOUT NOTICE. IT IS CONFIDENTIAL AND A PROPERTY OF AMPHENOL LTW. DISCLOSURE TO THIRD PARTY HAS TO BE AUTHORIZED BY AMPHENOL LTW.

REV.	ECN NO.	DATE	SIGN	DESCRIPTION
A		2021/10/08	Ruru	Initial Released

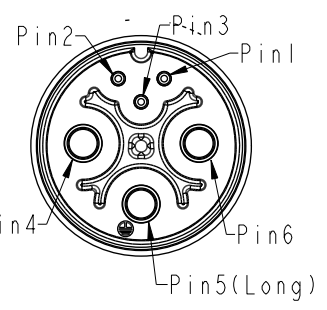
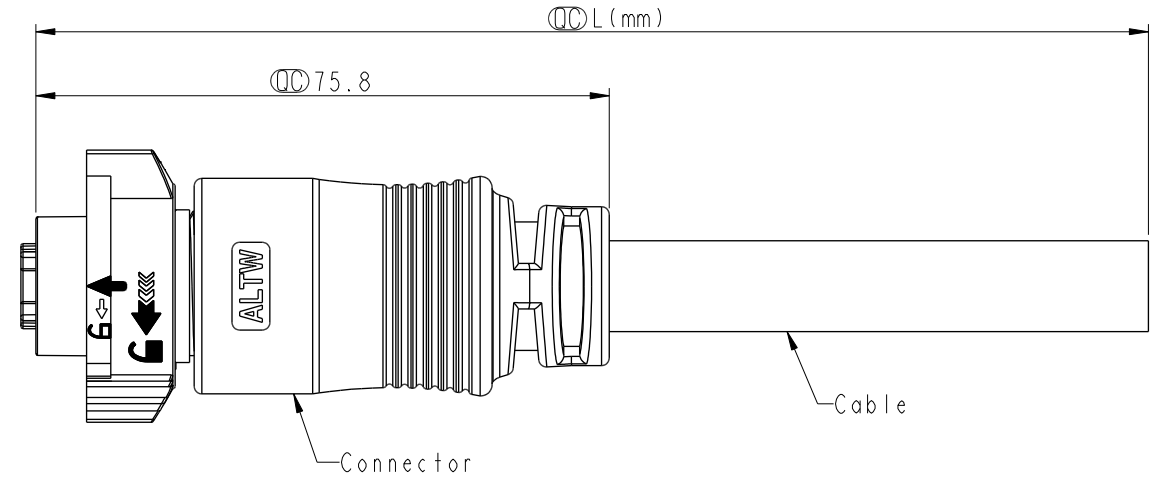
DCD-XXAFMM-QL8CXX

XX: No. Of Pin

XX: 01~99Meters  
 01: 01Meter  
 02: 02Meters  
 ...  
 99: 99Meters



Conn.



Pin Assignment  
Front View

6	White 白 (14AWG)	Twist 對線
5	Green 綠 (14AWG)	
4	Black 黑 (14AWG)	
3	Drain 地線 (24AWG)	
2	Orange 橘 (24AWG)	
1	Red 紅 (24AWG)	
Conn.	Wire Color	
Pin Out		

Note:

- \* RoHS Compliant
- \*  $\varnothing$  Important dimension
- \* Waterproof rate: IPX8, mated 1m/24h
- \* Connector
- Housing: Thermoplastic, Black
- Pin: Copper alloy, Gold plated
- O-Ring: Rubber, Dark Gray
- Nut: Thermoplastic, Black
- Outer mold: Thermoplastic, Black
- \* Cable: UL2517, PVC Jacket, Black
- \* Cable length tolerance: 1M: +50/-0 mm
- 1M < L ≤ 3M: +100/-0 mm
- 3M < L ≤ 5M: +150/-0 mm
- 5M < L ≤ 10M: ±100 mm
- 10M < L ≤ 20M: ±200 mm
- 20M < L ≤ 30M: ±300 mm
- 30M < L ≤ 99M: ±500 mm

UNIT:mm

TOLERANCE

±0.5 mm

TITLE XLOK, D-20A+5A, CABLE W/SR F, M, MOLDING, PUSH LOCK			
SCALE 1:1	SIZE A4	SHEET 1 OF 1	
REV. A	WC-REV. A.3	$\varnothing$ : Inspection item	

**Amphenol LTW**  
安費諾亮泰企業股份有限公司

ITEM NO	DRAWN BY Ruru	DATE 2021-10-08
DWG NO DCD-XXAFMM-QL8CXX	CHECKED BY Rita	DATE 2021-10-08
CUSTOMER ALTW	APPROVED BY Max	DATE 2021-10-08