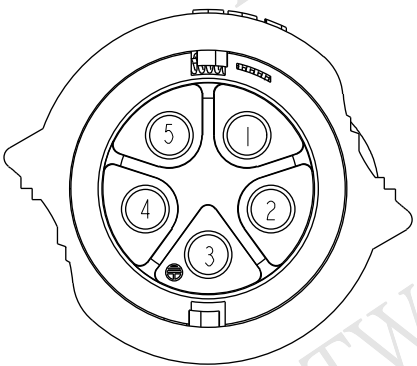
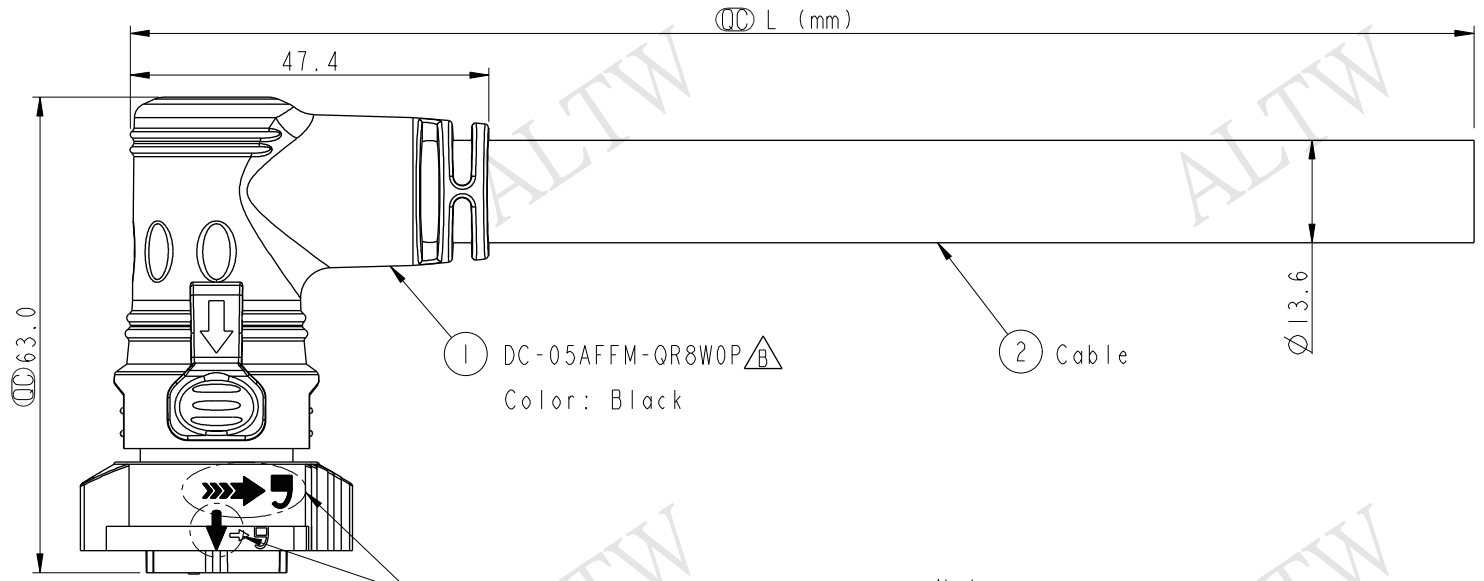
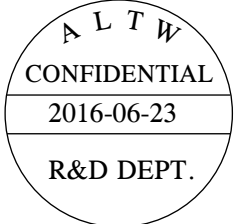
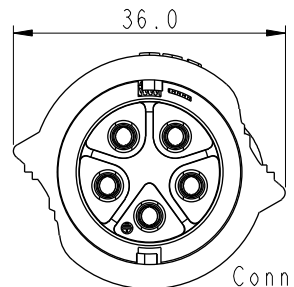


THIS DOCUMENT IS SUBJECT TO CHANGE WITHOUT NOTICE. IT IS CONFIDENTIAL AND A PROPERTY OF Amphenol LTW. DISCLOSURE TO THIRD PARTY HAS TO BE AUTHORIZED BY Amphenol LTW.

REV.	ECN NO.	DATE	SIGN	DESCRIPTION
A	Initial Release	2016-02-16	Wes	Change Rev.01 To Rev.A
B	LE31660477	2016-06-23	Wes	Change Part NO. of Half-finished



Pin Assignments  
Front View



Conn.

5	Brown	棕
4	Red	紅
3	Green	綠
2	White	白
1	Black	黑
Conn.	Wire Color	
	Pin Out	

1 DC-05AFFM-QR8W0P  $\triangle$   
Color: Black

4 Printing White  
白色印刷

DC-05AFFM-QR8E XX

XX :01~99Meters  
01 :01Meter  
02 :02Meters  
:  
:  
:  
99 :99Meters

Cable Length(L):01~99Meters

Note:

- \*  $\text{CC}$  Important Dimension To Check.
- \* Working Voltage Rating: AC 300V
- \* Working Current Rating: Max. 20A
- \* Waterproof Rate: IP68(Mated)  
In 1 meters water within 24hours.
- \* Housing: Nylon+GF, Black(UV Resistance)
- \* Female Pin: Copper Alloy, Gold & Ni Plated
- \* Cable: SJTW 12AWG\*5C, PVC Jacket,  
OD=13.6, Black.
- \* Cable Length Tolerance:01M:±40mm  
02M~05M:±60mm  
06M~10M:±100mm  
11M~30M:±200mm  
31M~99M:±500mm

UNIT:mm	
TOLERANCE	±0.5

TITLE X-Lok D Size Cable Molding 5Pin F Connector F Pin(20A)			
SCALE 1:1	SIZE A4	SHEET 1 OF 1	
REV. B	WC-REV. A.6	$\text{CC}$ : Inspection item	

**Amphenol LTW**  
安費諾亮泰企業股份有限公司

ITEM NO	DRAWN BY Wes Fan	DATE 2016-02-23
DWG NO DC-05AFFM-QR8EXX	CHECKED BY Spring Liu	DATE 2016-02-23
CUSTOMER ALTW	APPROVED BY Kevin Hu	DATE 2016-02-23