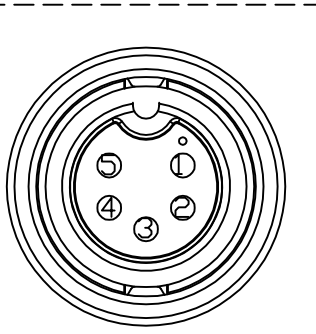
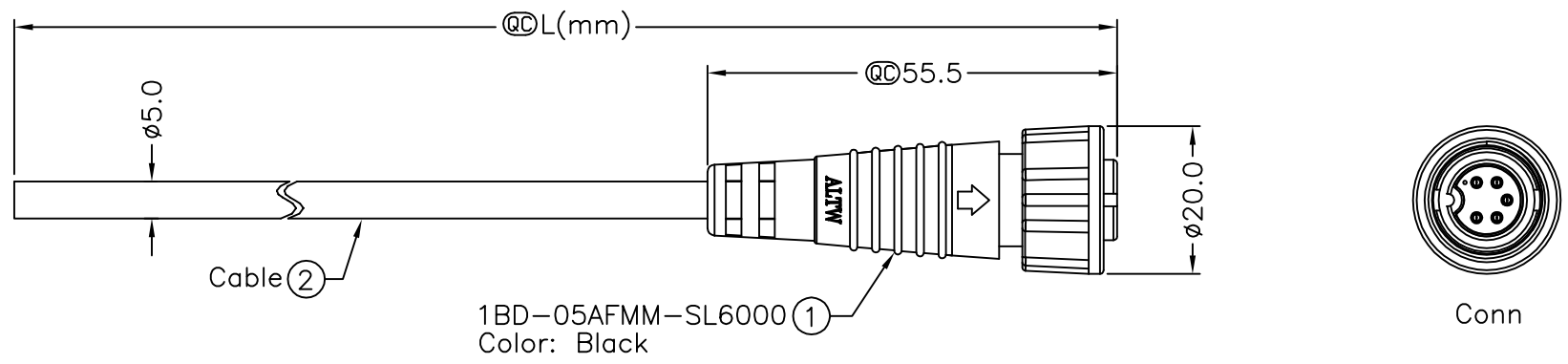


5	6	7	8
REV.	ECN NO.	DATE	SIGN

THIS DOCUMENT IS SUBJECT TO CHANGE WITHOUT NOTICE. IT IS CONFIDENTIAL AND A PROPERTY OF Amphenol LTW. DISCLOSURE TO THIRD PARTY HAS TO BE AUTHORIZED BY Amphenol LTW.



Pin Assignments  
Front View

5	Green	綠
4	White	白
3	Black	黑
2	Blue	藍
1	Brown	棕
Conn.	Wire Color	
	Pin Out	

1BD-05AFMM-SL6AXX

- XX :01~99Meters
- 01 :01 Meters
- 02 :02 Meters
- ⋮
- 99 :99 Meters

Cable Length(L):01~99Meters

Note :

- \* @C Important Dimension To Check.
- \* Waterproof Rate: IP66
- \* Housing: Nylon+GF, Black.
- \* Male Pin: Copper Alloy, Gold Plated.
- \* Cable: UL2464 24AWG\*5C+D+AL/My  
PVC Jacket UV Resistant, OD=5, Black.
- \* Cable Length Tolerance: 01M: ±40mm  
02M~05M: ±60mm  
06M~10M: ±100mm  
11M~30M: ±200mm  
31M~99M: ±500mm

UNIT:mm TOLERANCE ±0.5 mm	TITLE STANDARD CNC PIN CABLE SCREW 5PIN F CONN M PIN		<h1>Amphenol LTW</h1> <p>安費諾亮泰企業股份有限公司</p>	ITEM NO	DRAWN BY Ruru	DATE 2013/11/27
	SCALE Free	SHEET 1 OF 1		DWG NO 1BD-05AFMM-SL6AXX	CHECKED BY Tony	DATE 2013/11/27
REV. A	SIZE A4	@C :Inspection Item	CUSTOMER ALTW	APPROVED BY Victor	DATE 2013/11/27	