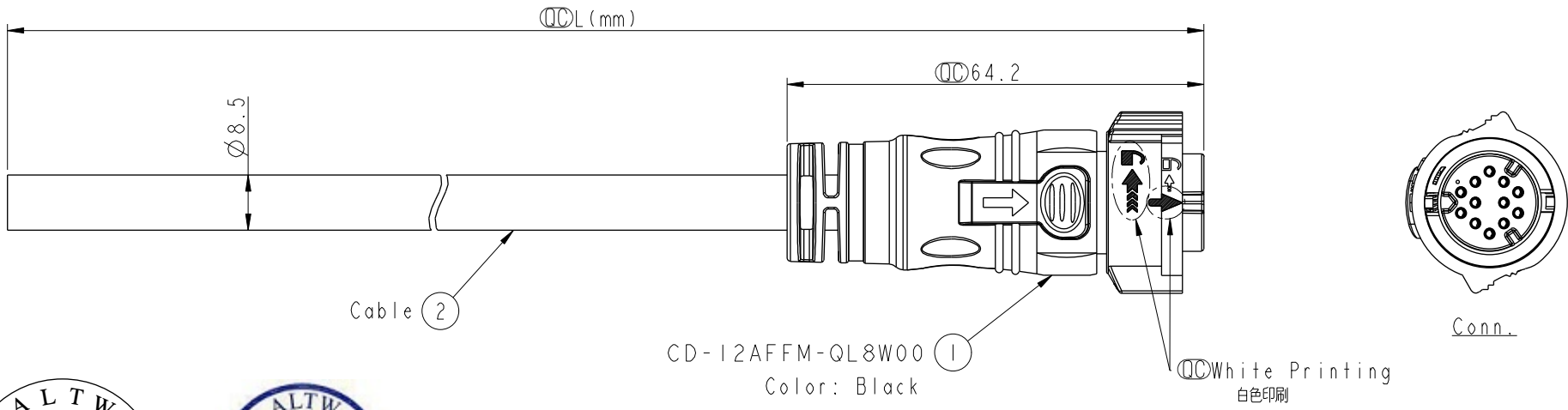


REV.	ECN NO.	DATE	SIGN	DESCRIPTION



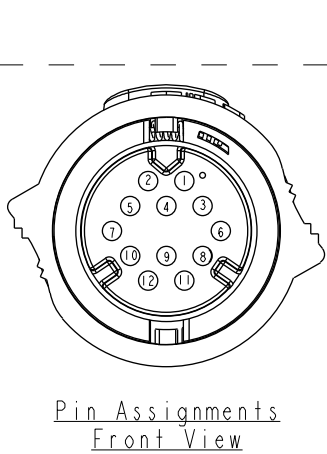
ALTW
CONFIDENTIAL
2014-12-11
R&D DEPT.

ALTW
DCC. DEPT.
CONFIDENTIAL
2015.03.23
ISSUED

CD-12AFFM-QL8W00 (1)
Color: Black

- Note:
- * (1) Important Dimension To Check.
 - * Working Voltage Rating: AC 300 V
 - * Working Current Rating: 5A
 - * Flame Class: UL94V-0 (UV Resistance)
 - * Waterproof Rate: IP68(Mated).
 - * Housing: Nylon+GF, Black.
 - * Female Pin: Copper Alloy, Gold Plated
 - * Cable: UL21388 20AWG*12C+AL.Mylar Black,PVC Jacket UV Resistant, OD=8.5
 - * Cable Length Tolerance: 01M:±40mm
02M~05M:±60mm
06M~10M:±100mm
11M~30M:±200mm
31M~99M:±500mm

CD-12AFFM-QL8DXX
↑
XX : 01~99Meters
01 : 01Meter
02 : 02Meters
:
:
99 : 99Meters



12	Light Green	淡綠
11	Pink	粉紅
10	White	白
9	Gray	灰
8	Purple	紫
7	Blue	藍
6	Green	綠
5	Yellow	黃
4	Orange	橙
3	Red	紅
2	Brown	棕
1	Black	黑
Conn.	Wire Color	Pin Out

UNIT:mm
TOLERANCE ±0.5

TITLE
X Lok C-Size
Cable 12 Pin 5A F Conn. F Pin

SCALE 1:1 SIZE A4 SHEET 1 OF 1

REV. A WC-REV. A.1 (1) Inspection item

Amphenol LTW
安費諾亮泰企業股份有限公司

ITEM NO	DRAWN BY Micky	DATE 2014-12-11
DWG NO CD-12AFFM-QL8DXX	CHECKED BY Spring	DATE 2014-12-11
CUSTOMER ALTW	APPROVED BY Kevin	DATE 2014-12-11

THIS DOCUMENT IS SUBJECT TO CHANGE WITHOUT NOTICE. IT IS CONFIDENTIAL AND A PROPERTY OF Amphenol LTW. DISCLOSURE TO THIRD PARTY HAS TO BE AUTHORIZED BY Amphenol LTW.