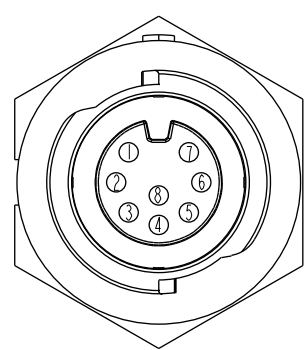
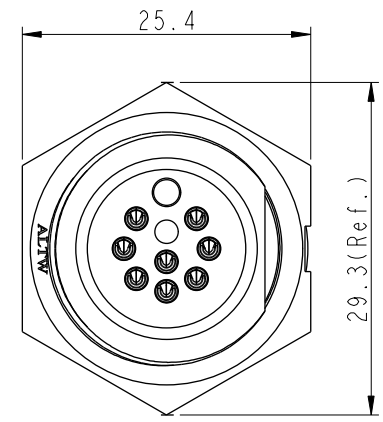
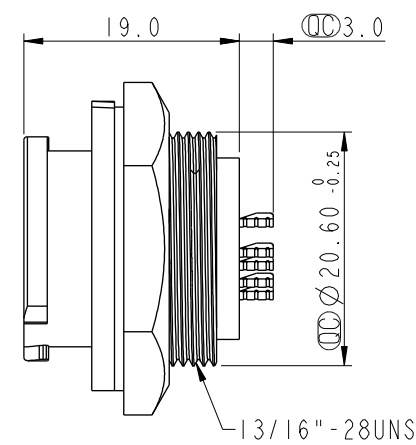
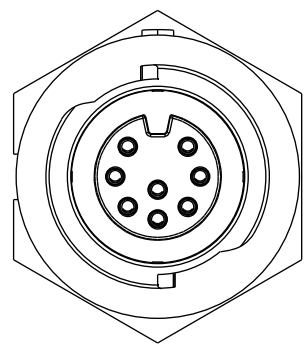


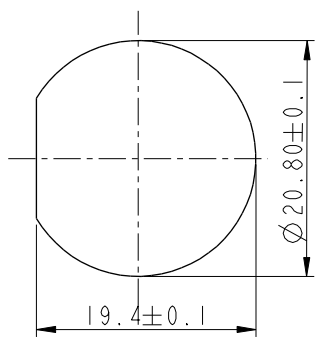
THIS DOCUMENT IS SUBJECT TO CHANGE WITHOUT NOTICE. IT IS CONFIDENTIAL AND A PROPERTY OF AMPHENOL LTW. DISCLOSURE TO THIRD PARTY HAS TO BE AUTHORIZED BY AMPHENOL LTW.

REV.	ECN NO.	DATE	SIGN	DESCRIPTION
B	C190470	2019/03/21	Vicky	Change Note

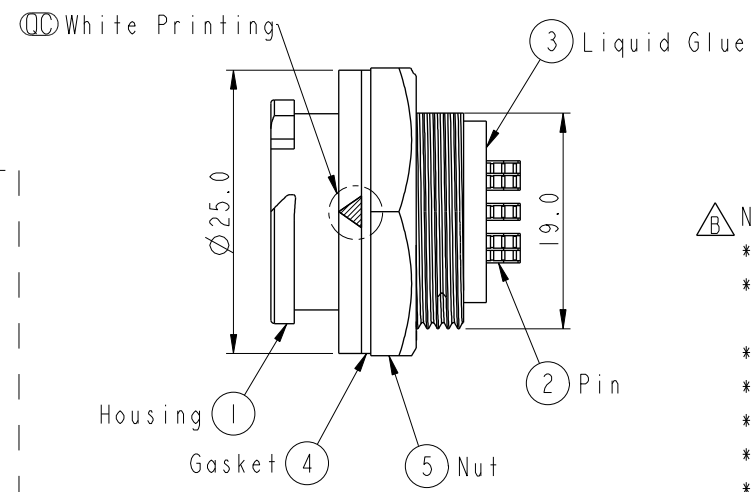
**ALTW**  
 CONFIDENTIAL  
 2019-03-21  
 R&D DEPT.



Pin Assignments  
Front View



Recommended Panel Cut-Out



- Note:**
- \*  $\text{CC}$  Important Dimension To Check.
  - \* Waterproof Rate: IP68, Unmated.  
In 1 meter water within 24 hours
  - \* Housing: Thermoplastic, Black.
  - \* Pin: Copper Alloy, Gold Plated.
  - \* Nut: Thermoplastic, Black.
  - \* Gasket: Rubber, Gray.
  - \* Panel Thickness Max: 4.2mm
  - \* Gasket and Nut are packed separately in PE bags.

UNIT: mm		
TOLERANCE		
.X	±0.25	
.XX	±0.1	
.XXX	±0.05	
ANGLES	±1°	

TITLE X-Lok C Size Receptacle Rear 8 Pin M Conn. F Pin			
SCALE 3:2	SIZE A4	SHEET 1 OF 1	
REV. B	WC-REV. A.2	$\text{CC}$ : Inspection item	

**Amphenol LTW**  
 安費諾亮泰企業股份有限公司

ITEM NO. CD-08RMFS-OC8001	DRAWN BY Vicky	DATE 2019-03-21
DWG NO. CD-08RMFS-OC8001	CHECKED BY Rita	DATE 2019-03-21
CUSTOMER ALTW	APPROVED BY Max	DATE 2019-03-21