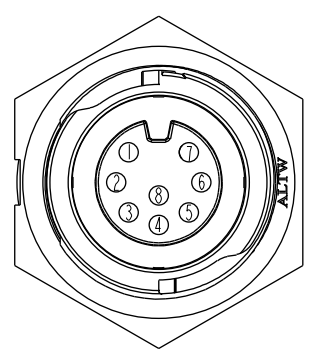
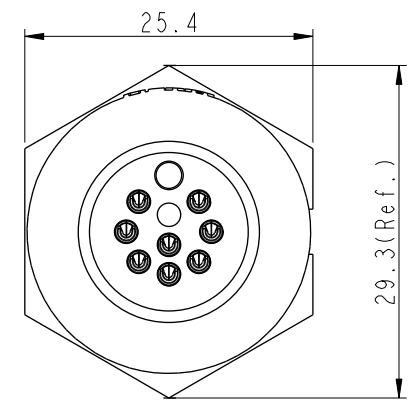
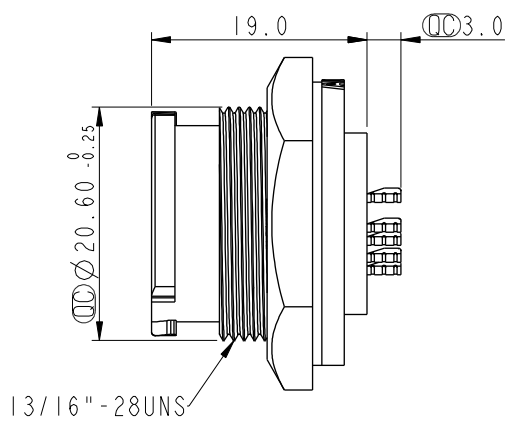
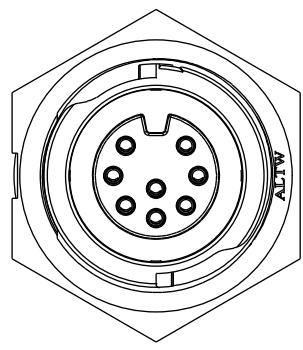


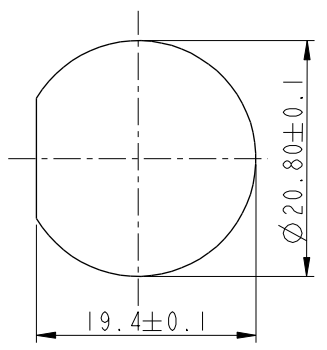
THIS DOCUMENT IS SUBJECT TO CHANGE WITHOUT NOTICE. IT IS CONFIDENTIAL AND A PROPERTY OF AMPHENOL LTW. DISCLOSURE TO THIRD PARTY HAS TO BE AUTHORIZED BY AMPHENOL LTW.

| REV. | ECN NO. | DATE | SIGN | DESCRIPTION |
|------|---------|------------|-------|-------------|
| B | C190470 | 2019/03/21 | Vicky | Change Note |

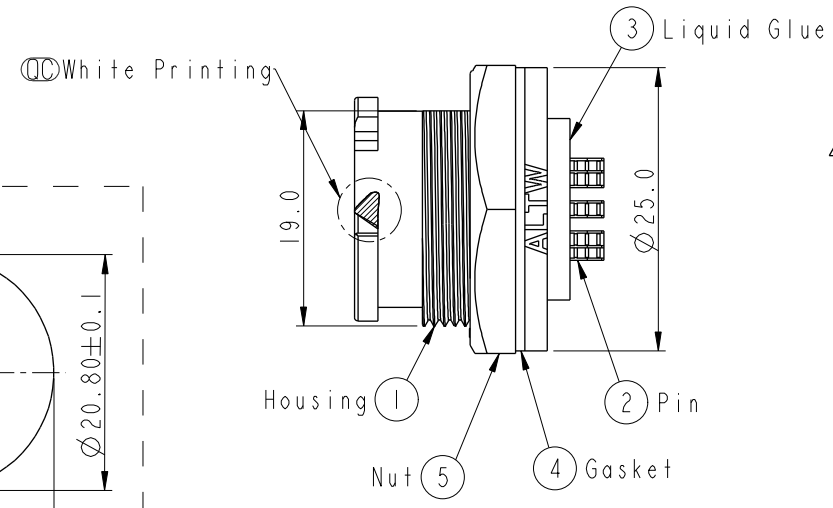
ALTW
 CONFIDENTIAL
 2019-03-21
 R&D DEPT.



Pin Assignments
Front View



Recommender Panel Cut-Out



- Note:**
- * \varnothing Important Dimension To Check.
 - * Waterproof Rate: IP68, Unmated.
In 1 meter water within 24 hours
 - * Housing: Thermoplastic, Black.
 - * Pin: Copper Alloy, Gold Plated.
 - * Nut: Thermoplastic, Black.
 - * Gasket: Rubber, Gray.
 - * Use Without Waterproof Cap
Panel Thickness Max: 4.2mm
 - * Use With Waterproof Cap
Panel Thickness Max: 3.0mm
 - * Gasket and Nut are packed separately
in PE bags.

| | | |
|-----------|-------|--|
| UNIT: mm | | |
| TOLERANCE | | |
| .X | ±0.25 | |
| .XX | ±0.1 | |
| .XXX | ±0.05 | |
| ANGLES | ±1° | |

| | | | |
|--|----------------|---------------------------------|--|
| TITLE X-Lok C Size Receptacle Front 8Pin M Conn. F Pin | | | |
| SCALE 3:2 | SIZE A4 | SHEET 1 OF 1 | |
| REV. B | WC-REV. A.2 | \varnothing : Inspection item | |

Amphenol LTW
 安費諾亮泰企業股份有限公司

| | | |
|------------------------------|--------------------|--------------------|
| ITEM NO. CD-08PMFS-OC8001 | DRAWN BY Vicky | DATE 2019-03-21 |
| DWG NO. CD-08PMFS-OC8001 | CHECKED BY Rita | DATE 2019-03-21 |
| CUSTOMER ALTW | APPROVED BY Max | DATE 2019-03-21 |